

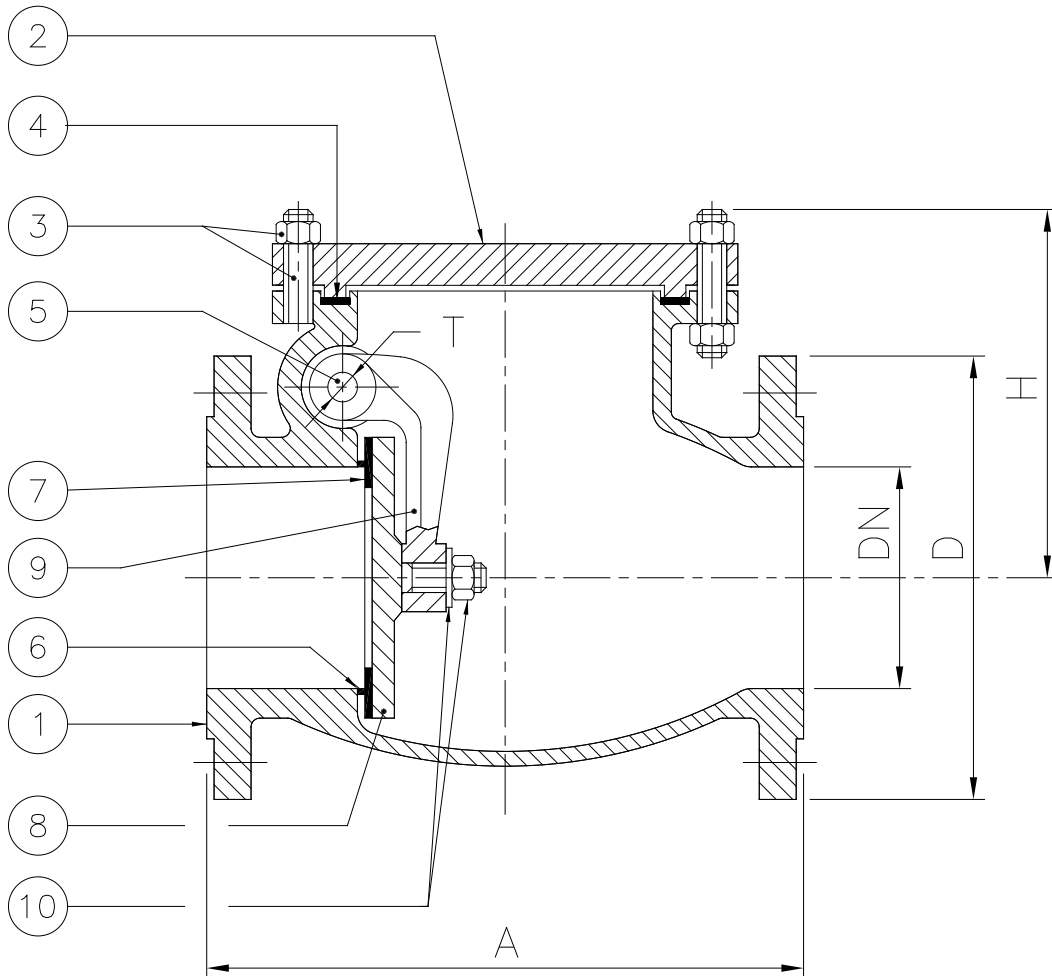
Swing Check Valve

PN 25 DN 50 - DN 900

Flanges PN 25 or PN 16



Fig. 270-570



0948

Rel. 6.0

Standard features:

- Design EN 12516
EN 14341
- Face to face EN 558 series 48
DIN 3202 F6
- Flanges EN 1092-1/21/B1
- Materials EN 10213
EN 10269
EN 10088
- Bolts and nuts EN 1515-1
- Welding overlay AD-M HP 0
- Testing EN 12266
- Marking EN 19
- Certificates EN 10204

Optional versions:

- AD 2000 – A4
- TRD 110
- DIN 3230 Part 4
- DIN 3230 Part 5
- DIN 3230 Part 6
- TRbF 131
- TRbF 301 or 302
- ATEX
- TA-Luft
- With flanges PN 10 or PN 6
- With flanges form A, B2, C, D, E, F, G, H
- With butt welding ends (EN 12627)
- With special devices (see page 52)

	DESCRIPTION	FIG. 270	FIG. 370	FIG. 370-J	FIG. 470	FIG. 470-H	FIG. 570
1	Body	1.0619	1.4581	1.4308	1.7357	1.7379	1.1138
2	Cover	1.0425 ⁽⁵⁾	1.4571	1.4301	1.7335	1.7380	1.0508
3	Bolts	1.7225 ⁽⁴⁾	1.4301 ⁽⁴⁾	1.4301 ⁽⁴⁾	1.7711 ⁽⁴⁾	1.7711 ⁽⁴⁾	1.7225 ⁽⁴⁾
3	Nuts	1.1191 ⁽⁴⁾	1.4301 ⁽⁴⁾	1.4301 ⁽⁴⁾	1.7225 ⁽⁴⁾	1.7225 ⁽⁴⁾	1.7225 ⁽⁴⁾
4	O Gasket	Graphite + SS ⁽³⁾	Graphite + SS ⁽³⁾	PTFE ⁽³⁾	Graphite + SS ⁽³⁾	Graphite + SS ⁽³⁾	Graphite + SS ⁽³⁾
5	x Hinge pin	1.4021 ⁽¹⁾	1.4571 ⁽¹⁾	1.4301 ⁽¹⁾	1.4021 ⁽¹⁾	1.4021 ⁽¹⁾	1.4021 ⁽¹⁾
6	Body seats	1.4502 ⁽²⁾	1.4430 ⁽²⁾	1.4316 ⁽²⁾	1.4502 ⁽²⁾	Stellite	1.4502 ⁽²⁾
7	Disk seats	1.4502 ⁽²⁾	1.4571 ⁽²⁾	1.4301 ⁽²⁾	1.4502 ⁽²⁾	Stellite	1.4502 ⁽²⁾
8	x Disk	1.0425 ⁽⁵⁾	1.4571	1.4301	1.7335	1.7380	1.0508
9	Hinge	1.0619	1.4581	1.4308	1.7357	1.7379	1.1138
10	Stud	1.7225 ⁽⁴⁾	1.4401 ⁽⁴⁾	1.4301 ⁽⁴⁾	1.7711 ⁽⁴⁾	1.7711 ⁽⁴⁾	1.7225 ⁽⁴⁾
10	Nut	1.1191 ⁽⁴⁾	1.4401 ⁽⁴⁾	1.4301 ⁽⁴⁾	1.7225 ⁽⁴⁾	1.7225 ⁽⁴⁾	1.7225 ⁽⁴⁾

(1) Also available on request 1.4571, 1.4301, 1.3964, Hastelloy, or other materials.

(2) Also available on request stellite, 1.4462 (duplex), 1.4430, 1.4316, Hastelloy, or other materials.

(3) Also available on request PTFE, Gore-tex, graphite, or other materials and different desing (e.g. cam-profile).

(4) Also available on request 1.7225 / 1.1191, 1.7711 / 1.7225, 1.4401, 1.4301, A4-70 or other materials.

(5) 1.0044 for swing check valves with DN over 125 mm.

O recommended spare parts for 2 years standard service; x recommended spare parts for 5 years standard service.

Dimensions

	DN	A	D	H	T	Kg
PN 25	50	200	165	160	10	15
	65	240	185	170	15	24
	80	260	200	175	15	28
	100	300	235	195	15	38
	125	350	270	210	18	58
	150	400	300	240	18	96
	200	500	360	280	18	131
	250	600	425	320	24	212
	300	700	485	365	24	273
	350	800	555	425	28	440
	400	900	620	440	28	465
	450	1000	670	520	36	750
	500	1100	730	620	36	1100
	600	1300	845	710	40	1500
700	1500	960	750	50	2100	
800	1700	1085	810	60	2800	
900	1900	1185	880	70	3050	

Pressure Temperature Ratings (°C / bar)

	PN	-195	-150	-100	-50	-10	0	20	100	150	200	250	300	350	400	425	450	475	500	525	550	575	600	
Fig. 270 ⁽⁵⁾	25				25.0	25.0	24.7	23.3	21.4	19.4	17.8	16.1	15.0	14.4	11.8	9.2								
Fig. 370 ⁽⁴⁾	25			25.0	25.0	25.0	25.0	24.1	20.6	19.2	17.8	16.9	16.1	15.3	14.4	14.2	13.9	13.6	13.3	13.1	12.8			
Fig. 370-J	25	25.0	25.0	25.0	25.0	25.0	25.0	23.6	17.8	15.8	13.9	13.1	12.2											
Fig. 470 ⁽⁴⁾ ^(?)	25				25.0	25.0	25.0	25.0	25.0	25.0	25.0	25.0	25.0	23.9	22.2	15.7	9.2	11.1	13.0	9.6	6.1			
Fig. 470-H ^(?)	25				25.0	25.0	25.0	25.0	25.0	25.0	25.0	25.0	25.0	25.0	25.0	24.6	24.2	19.7	15.1	11.2	7.3	5.2	3.1	
Fig. 570	25				25.0	25.0	25.0	24.4	22.2	21.1	20.0	19.4	18.9											

Please, in the inquiry and in the order, specify always the maximum service temperature when it's over 100 °C.

If the valves are provided with flanged connection PN 25 or PN 16 the maximum allowable pressure should be proportionally reduced.

⁽⁵⁾ Supplied suitable for service temperature up to 300°C and for higher temperatures only on request.

⁽⁴⁾ Suitable over 450 °C only if provided with stellite seats. ^(?) Suitable over 530 °C only if provided with 1.3964 pin.

General sale and delivery conditions and product guarantee as specified at pages 56 and 57.

Due to constant improvement all data and details contained in this catalogue are purely indicative and they can be subjected to change without notice.