

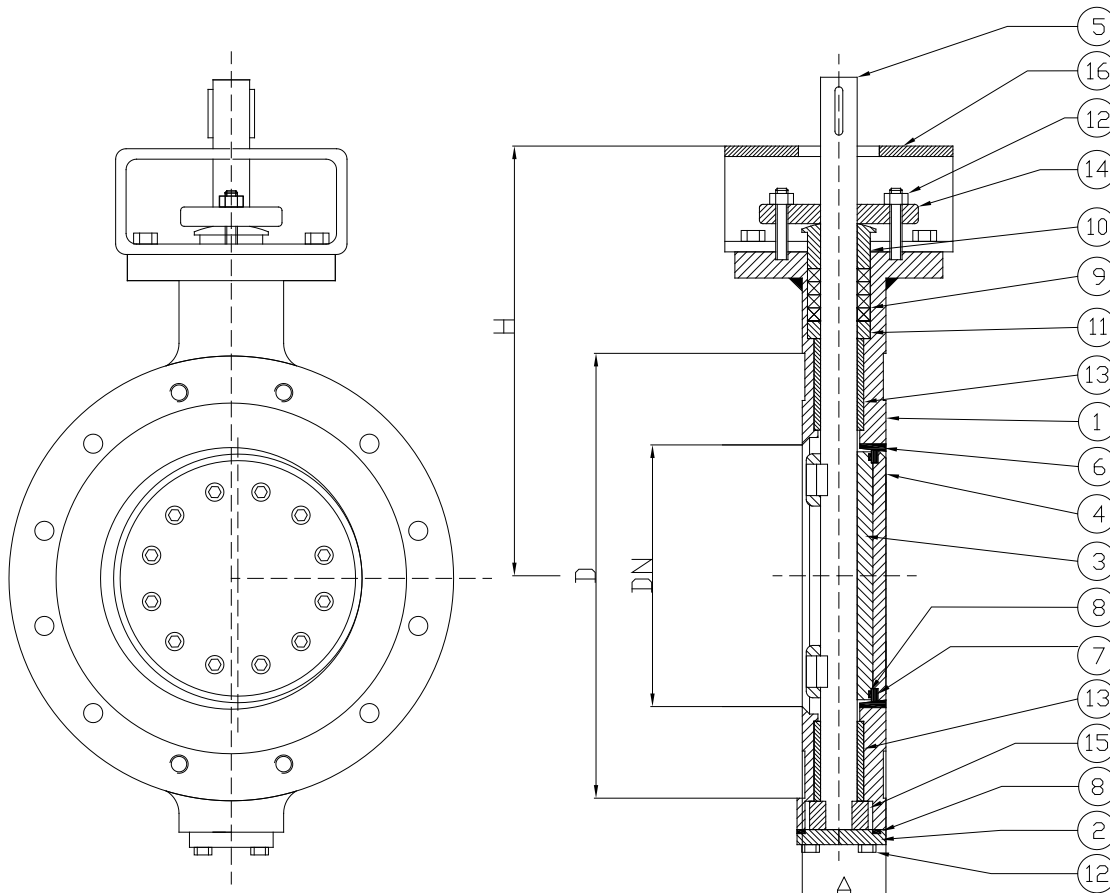
Triple Offset Butterfly Valve

Class 150 NPS 3" - NPS 40"

Lug - single flange type



Fig. 143L-543L



0948

Rel. 6.0

Standard features:

- Design API 609
EN 12516
EN 593 (Fig. 3b)
- Face to face API 609 CL 150
- Materials ASME B 16.34
EN 1503
- Bolts and nuts EN 1515-1
- Welding overlay AD-M HP 0
- Testing EN 12266
API 598
- Marking EN 19
- Certificates EN 10204

Optional versions:

- AD 2000 – A4
- TRD 110
- ATEX compliant
- TA-Luft
- ISO 15848
- With special devices
- All tapped holes (EN 593 Fig. 3d)
- Lightweight lug type (EN 593 Fig. 3a or 3c)

	DESCRIPTION	FIG. 143L	FIG. 243L	FIG. 343L	FIG. 343L-J	FIG. 443L	FIG. 543L
1	Body	A 36	A 515 Gr. 60	A 316	A 304	A 182 F11	A 516 Gr. 60
2	Cover	A 36	A 515 Gr. 60	A 316	A 304	A 182 F11	A 516 Gr. 60
3 x	Disc	A 36	A 515 Gr. 60	A 316	A 304	A 182 F11	A 516 Gr. 60
4	Retainer flange	A 36	A 515 Gr. 60	A 316	A 304	A 182 F11	A 516 Gr. 60
5 x	Shaft	A 420 ⁽¹⁾	A 420 ⁽¹⁾	A 316 ⁽¹⁾	A 304 ⁽¹⁾	A 420 ⁽¹⁾	A 420 ⁽¹⁾
6	Body seats	A 430 ⁽²⁾	A 430 ⁽²⁾	A 316 ⁽²⁾	A 304 ⁽²⁾	A 430 ⁽²⁾	A 430 ⁽²⁾
7 x	Seal ring	Graphite + A 316 ⁽⁵⁾	Graphite + A 316 ⁽⁵⁾	Graphite + A 316 ⁽⁵⁾	Graphite + A 316 ⁽⁵⁾	Graphite + A 316 ⁽⁵⁾	Graphite + A 316 ⁽⁵⁾
8 O	Gasket	Graphite + A 316 ⁽⁵⁾	Graphite + A 316 ⁽⁵⁾	Graphite + A 316 ⁽⁵⁾	Graphite + A 316 ⁽⁵⁾	Graphite + A 316 ⁽⁵⁾	Graphite + A 316 ⁽⁵⁾
9 O	Packing	Graphite + A 316 ⁽⁵⁾	Graphite + A 316 ⁽⁵⁾	Graphite + A 316 ⁽⁵⁾	Graphite + A 316 ⁽⁵⁾	Graphite + A 316 ⁽⁵⁾	Graphite + A 316 ⁽⁵⁾
10 x	Gland	M 1023	M 1023	A 316	A 304	M 1023	M 1023
11 x	Spacer	M 1023	M 1023	A 316	A 304	M 1023	M 1023
12	Bolts & Scews	8.8 ⁽⁴⁾	A193 B7 ⁽⁴⁾	A 193 B8 ⁽⁴⁾	A 193 B8 ⁽⁴⁾	A193 B7 ⁽⁴⁾	A193 L7 ⁽⁴⁾
12	Nuts	8.8 ⁽⁴⁾	A194 2H ⁽⁴⁾	A 194 8 ⁽⁴⁾	A 194 8 ⁽⁴⁾	A194 2H ⁽⁴⁾	A194 7 ⁽⁴⁾
12	Scews (wetted)	8.8 ⁽⁴⁾	A193 B7 ⁽⁴⁾	A 193 B8M ⁽⁴⁾	A 193 B8 ⁽⁴⁾	A193 B7 ⁽⁴⁾	A193 L7 ⁽⁴⁾
13 x	Bush	M1023 NHT	A 316 NHT	A 316 NHT	A 316 NHT	A 316 NHT	A 316 NHT
14	Gland flange	A 105 N	A 105 N	A 304	A 304	A 105 N	A 516 Gr. 60
15	Autolock	M 1023	M 1023	A 316	A 304	A 420	M 1023
16	Bracket	Pressed steel	Pressed steel	Pressed steel	Pressed steel	Pressed steel	Pressed steel

⁽¹⁾ Also available on request A 316, A 304, XM 19, Hastelloy, or other materials.

⁽²⁾ Also available on request stellite, UNS S 31803 (duplex), A 316L, A 304L, Hastelloy, or other materials.

⁽³⁾ Also available on request PTFE, Gore-tex, graphite, or other materials and different desing (e.g. cam-profile).

⁽⁴⁾ Also available on request A 193 B16 / A 194 Gr. 7, A 193 L7 / A 194 Gr. 7, A193 B8M / A193 Gr. 8M, A193 B8 / A193 Gr. 8 or other materials.

⁽⁵⁾ Also available on request Graphite+UNS S 31803 (duplex), PTFE+A 316, or other materials.

Equivalent or superior materials can be supplied if the listed material is not available (e.g. WCB can replace A515 Gr. 60 for some sizes).

O recommended spare parts for 2 years standard service; x recommended spare parts for 5 years standard service.

Dimensions

	DN	NPS	A	D	H	Kg	$\Delta p1^{(6)}$	$\Delta p2^{(6)}$
ANSI 150	80	3	48	165	250	19	20	10
	100	4	54	220	280	20	20	10
	150	6	57	285	315	26	20	10
	200	8	64	340	380	40	20	10
	250	10	71	395	420	55	20	10
	300	12	81	445	480	90	20	10
	350	14	92	505	515	125	20	10
	400	16	102	565	540	170	20	10
	450	18	114	615	570	205	20	10
	500	20	127	670	630	280	20	10
	600	24	154	780	680	395	20	10
	700	28	165	890	830	560	20	10
	750	30	190	984	870	810	20	10
800	32	190	1060	895	950	20	10	
900	36	203	1168	1015	1210	20	10	
1000	40	216	1289	1070	1550	20	10	

⁽⁶⁾ $\Delta p1$ maximum differential pressure with shaft in A420 or XM 19. $\Delta p2$ maximum differential pressure with shaft in A316 or A304.

Pressure Temperature Ratings (°C / bar)

	Class	-195	-150	-100	-46	-10	0	20	100	150	200	250	300	350	400	425	450	475	500	525	550	575	600
Fig. 143L	150				20.2	19.8	19.8	18.3	17.8	17.3	16.5	15.3											
Fig. 243L	150				20.2	19.8	19.8	18.3	17.8	17.3	16.5	15.3	14.6	13.6	11.3								
Fig. 343L ⁽⁸⁾	150			19.6	19.6	19.6	19.6	19.6	16.7	15.2	14.1	13.2	12.5	12.0	11.8	11.5	11.4	11.3	10.8	10.0	9.4		
Fig. 343L-J	150	19.6	19.6	19.6	19.6	19.6	19.6	16.1	14.7	13.6	12.8	12.1											
Fig. 443L ⁽⁸⁾ ⁽⁷⁾	150				20.4	20.4	20.4	20.3	19.6	18.9	18.2	16.9	15.9	14.4	13.8	13.3	12.5	10.0	7.2	5.0			
Fig. 543L	150				20.2	20.2	19.8	19.8	18.3	17.8	17.3	16.5	15.3	14.6	13.6	11.3							

Please, in the inquiry and in the order, specify always the maximum service temperature when it's over 100 °C.

⁽⁷⁾ Suitable over 450 °C only if provided with stellited seat. ⁽⁸⁾ Suitable over 530 °C only if provided with XM 19 shaft.

General sale and delivery conditions and product guarantee as specified at pages 74 and 75.

Due to constant improvement all data and details contained in this catalogue are purely indicative and they can be subjected to change without notice.