

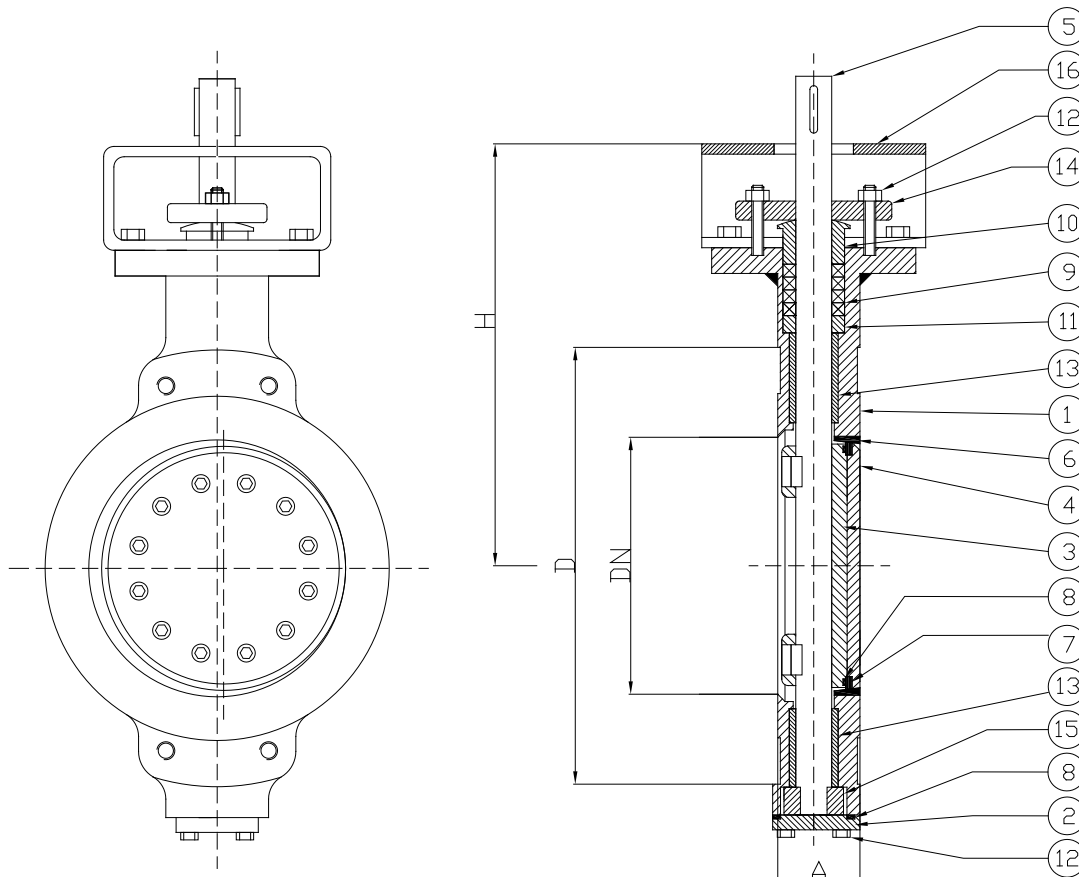
Triple Offset Butterfly Valve

PN 25 DN 80 - DN 1000

Wafer type drilling PN 25 or PN 16 or PN 10



Fig. 142W-542W



0948

Rel. 6.0

Standard features:

- Design EN 12516
 EN 593
- Face to face ISO 5752 series 25
 EN 558-1 series 25
 DIN 3202 K2
- Materials EN 10025
 EN 10028
 EN 1503
- Bolts and nuts EN 1515-1
- Welding overlay AD-M HP 0
- Testing EN 12266
 EN 593
- Marking EN 19
- Certificates EN 10204

Optional versions:

- AD 2000 – A4
- TRD 110
- ATEX compliant
- TA-Luft
- ISO 15848
- With special devices

	DESCRIPTION	FIG. 142W	FIG. 242W	FIG. 342W	FIG. 342W-J	FIG. 442W	FIG. 542W
1	Body	1.0044	1.0425	1.4401	1.4301	1.7335	1.0488
2	Cover	1.0044	1.0425	1.4401	1.4301	1.7335	1.0488
3 x	Disc	1.0044	1.0425	1.4401	1.4301	1.7335	1.0488
4	Retainer flange	1.0044	1.0425	1.4401	1.4301	1.7335	1.0488
5 x	Shaft	1.4021 ⁽¹⁾	1.4021 ⁽¹⁾	1.4401 ⁽¹⁾	1.4301 ⁽¹⁾	1.4021 ⁽¹⁾	1.4021 ⁽¹⁾
6	Body seats	1.4502 ⁽²⁾	1.4502 ⁽²⁾	1.4401 ⁽²⁾	1.4301 ⁽²⁾	1.4502 ⁽²⁾	1.4502 ⁽²⁾
7 x	Seal ring	Graphite + 1.4401 ⁽⁵⁾	Graphite + 1.4401 ⁽⁵⁾	Graphite + 1.4401 ⁽⁵⁾	Graphite + 1.4401 ⁽⁵⁾	Graphite + 1.4401 ⁽⁵⁾	Graphite + 1.4401 ⁽⁵⁾
8 O	Gasket	Graphite + 1.4401 ⁽⁵⁾	Graphite + 1.4401 ⁽⁵⁾	Graphite + 1.4401 ⁽⁵⁾	Graphite + 1.4401 ⁽⁵⁾	Graphite + 1.4401 ⁽⁵⁾	Graphite + 1.4401 ⁽⁵⁾
9 O	Packing	Graphite + 1.4401 ⁽⁵⁾	Graphite + 1.4401 ⁽⁵⁾	Graphite + 1.4401 ⁽⁵⁾	Graphite + 1.4401 ⁽⁵⁾	Graphite + 1.4401 ⁽⁵⁾	Graphite + 1.4401 ⁽⁵⁾
10 x	Gland	1.0402	1.0402	1.4401	1.4301	1.0402	1.0402
11 x	Spacer	1.0402	1.0402	1.4401	1.4301	1.0402	1.0402
12	Bolts & Screws	8.8 ⁽⁴⁾	1.7225 ⁽⁴⁾	1.4301 ⁽⁴⁾	1.4301 ⁽⁴⁾	1.7225 ⁽⁴⁾	1.7225 ⁽⁴⁾
12	Nuts	8.8 ⁽⁴⁾	1.1191 ⁽⁴⁾	1.4301 ⁽⁴⁾	1.4301 ⁽⁴⁾	1.1191 ⁽⁴⁾	1.1191 ⁽⁴⁾
12	Screws (wetted)	8.8 ⁽⁴⁾	1.7225 ⁽⁴⁾	1.4401 ⁽⁴⁾	1.4301 ⁽⁴⁾	1.7225 ⁽⁴⁾	1.7225 ⁽⁴⁾
13 x	Bush	1.0402 NHT	1.4401 NHT	1.4401 NHT	1.4401 NHT	1.4401 NHT	1.4401 NHT
14	Gland flange	1.0425	1.0425	1.4301	1.4301	1.0352	1.0488
15	Autolock	1.0402	1.0402	1.4401	1.4301	1.4021	1.0402
16	Bracket	Pressed steel	Pressed steel	Pressed steel	Pressed steel	Pressed steel	Pressed steel

⁽¹⁾ Also available on request 1.4571, 1.4301, 1.3964, Hastelloy, or other materials.

⁽²⁾ Also available on request stellite, 1.4462 (duplex), 1.4430, 1.4316, Hastelloy, or other materials.

⁽³⁾ Also available on request PTFE, Gore-tex, graphite, or other materials and different desing (e.g. cam-profile).

⁽⁴⁾ Also available on request 1.7225 / 1.1191, 1.7711 / 1.7225, 1.4401, 1.4301, A4-70 or other materials.

⁽⁵⁾ Also available on request Graphite + 1.4462 (duplex), PTFE + 1.4401, or other materials.

Equivalent or superior materials can be supplied if the listed material is not available (e.g. 1.0619 can replace 1.0425 for some sizes).

O recommended spare parts for 2 years standard service; x recommended spare parts for 5 years standard service.

Dimensions

	DN	A	D	H	Kg	$\Delta p1$ ⁽⁶⁾	$\Delta p2$ ⁽⁶⁾
PN 25	80	49	200	250	14	25	10
	100	56	235	280	18	25	10
	125	64	270	305	23	25	10
	150	70	300	315	25	25	10
	200	71	360	380	40	25	10
	250	76	425	420	50	25	10
	300	83	485	480	85	25	10
	350	92	555	515	120	25	10
	400	102	620	540	160	25	10
	450	114	670	570	200	25	10
	500	127	730	630	260	25	10
	600	154	845	680	380	25	10
	700	165	960	830	580	25	10
	800	190	1085	895	890	25	10
900	203	1185	1015	1130	25	10	
1000	216	1320	1070	1420	25	10	

⁽⁶⁾ $\Delta p1$ maximum differential pressure with shaft in 1.4021 or 1.3964. $\Delta p2$ maximum differential pressure with shaft in 1.4401 or 1.4571 or 1.4301.

Pressure Temperature Ratings (°C / bar)

	PN	-195	-150	-100	-50	-10	0	20	100	150	200	250	300	350	400	425	450	475	500	525	550	575	600
Fig. 142W	25				25.0	25.0	24.7	23.3	21.4	19.4	17.8	16.1											
Fig. 242W	25				25.0	25.0	24.7	23.3	21.4	19.4	17.8	16.1	15.0	14.4	11.8	9.2							
Fig. 342W ⁽⁸⁾	25			25.0	25.0	25.0	25.0	24.1	20.6	19.2	17.8	16.9	16.1	15.3	14.4	14.2	13.9	13.6	13.3	13.1	12.8		
Fig. 342W-J	25	25.0	25.0	25.0	25.0	25.0	25.0	23.6	17.8	15.8	13.9	13.1	12.2										
Fig. 442W ⁽⁸⁾ ⁽⁹⁾	25				25.0	25.0	25.0	25.0	25.0	25.0	25.0	25.0	25.0	23.9	22.2	15.7	9.2	11.1	13.0	9.6	6.1		
Fig. 542W	25				25.0	25.0	25.0	24.4	22.2	21.1	20.0	19.4	18.9										

Please, in the inquiry and in the order, specify always the maximum service temperature when it's over 100 °C.

If the valves are provided with connection PN 16 or PN 10 the maximum allowable pressure should be proportionally reduced.

⁽⁷⁾ Suitable over 450 °C only if provided with stellited seat. ⁽⁸⁾ Suitable over 530 °C only if provided with 1.3964 shaft.

General sale and delivery conditions and product guarantee as specified at pages 74 and 75.

Due to constant improvement all data and details contained in this catalogue are purely indicative and they can be subjected to change without notice.