

Body: EN-GJS-400-18-LT (GGG-40.3), three way form for heat transfer oil, as mixing valve (diverted purpose restricted, see page 038 990)
 Pressure range: PN 16, PN 25
 Immersion length acc. to DIN EN 558, basic series 1
 Flanges acc. to DIN EN 1092-2 type 21
 Spindle sealing: double wall bellow and safety stuffing box
 Internal parts: stainless steel, replaceable seat rings
 Flow characteristic: linear
 Positioning ratio: 50:1
 Leakage: < 0,01% Kvs

Actuator: with manual emergency operation and load dependent limit switches
 Thrust: 2000 N
 Power input: 12 VA
 Alternatively: 4000 N / 28 VA (appendix ...c)
 5500 N / 28 VA (appendix ...d)
 Power supply: 230V/50...60Hz
 Optionally: 115V/50...60Hz, 24V/50...60Hz, 24VDC
 Motor rating standard acc. to DIN EN 60034-1: S1 – 100%
 Protection class acc. to DIN EN 60529: IP65

Accessories, special types:
 Add. limit switches load dependent (see page 49e)
 Add. signal switches travel dependent (see page 49w)
 Feedback potentiometer (see page 49f)
 Integrated positioner (see page 49sr)
 Integrated process controller (see page 49r)
 Feedback signal 4-20mA / 0-10V
 Actuator heater (on request)
 Other positioning speed (on request)
 Other Kvs- values (on request)
 Weld-on ends (on request)
 Flange drillings acc. to ANSI / JIS (on request)



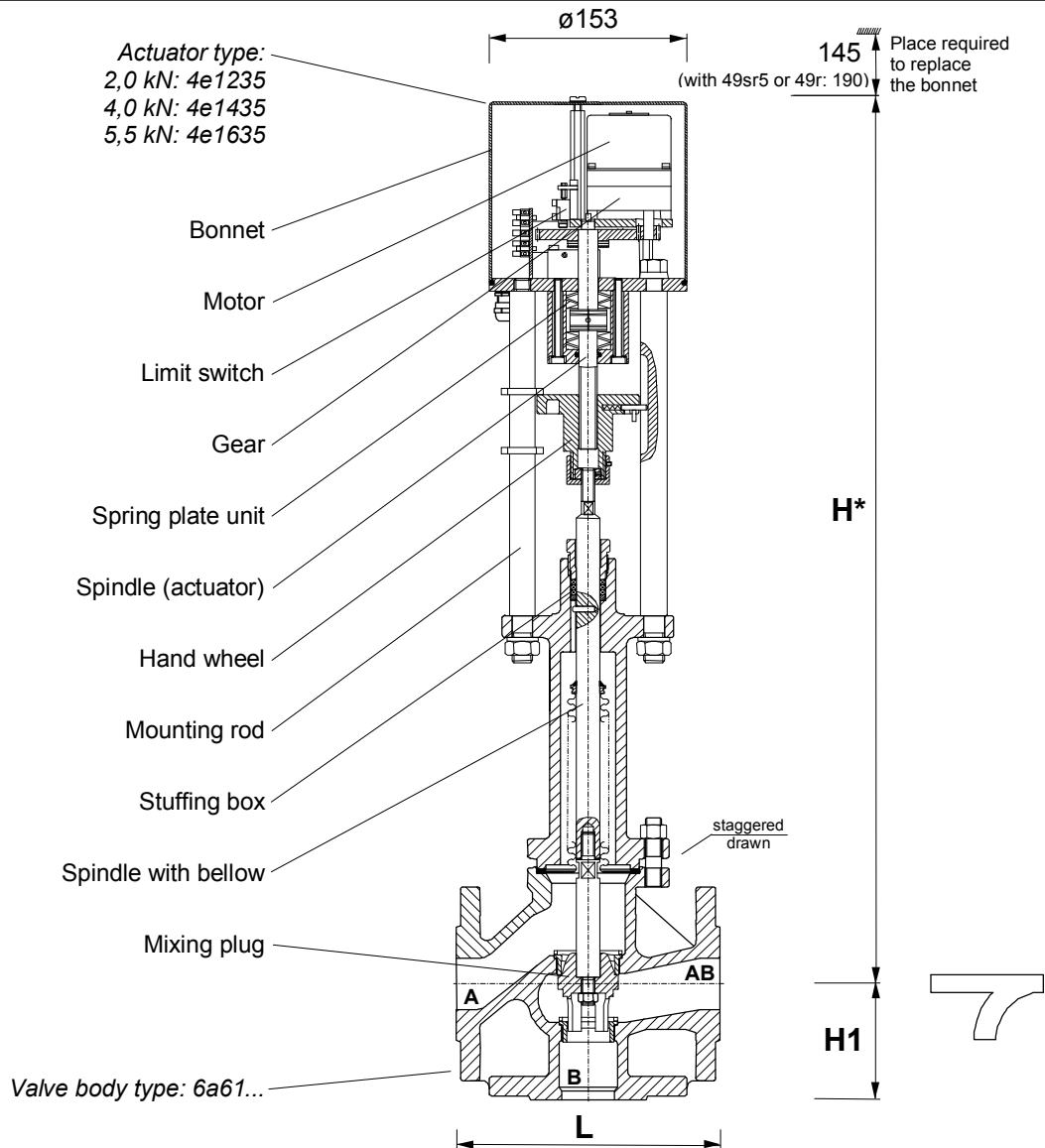
Order text:
 Motor control valve in three way form, with mixing plug
 EN-GJS-400-18-LT (GGG-40.3), PN . . , DN . . , Kvs . . .
 Spindle sealing with bellow
 Power supply . . . , closing pressure . . . bar
 List-No. 461 . . . , accessories . . .

Pressure-temperature ratings acc. to DIN EN 1092-2:

by:	-10...120	150	200	250	300	350	°C
PN 16	16	15,5	14,7	13,9	12,8	11,2	bar
PN 25	25	24,3	23	21,8	20	17,5	bar

DN	List-No.		Kvs m³/h	Stroke mm	Pos. time sec	Closing pressure* (bar)		
	PN 16	PN 25				2000N	4000N	5500N
15	461 400.	461 500.	4	20	66	25,0		
20	461 401.	461 501.	6,3	20	66	25,0		
25	461 402.	461 502.	10	20	66	25,0		
32	461 403.	461 503.	16	20	66	17,3	25,0	
40	461 404.	461 504.	25	20	66	10,8	25,0	
50	461 405.	461 505.	40	20	66	6,6	16,0	23,0
65	461 406.	461 506.	63	30	100	3,4	9,1	13,3
80	461 408.	461 508.	100	30	100	2,0	5,8	8,6
100	461 410.	461 510.	160	30	100	1,1	3,5	5,4
125	461 412.	461 512.	230	35	116		2,1	3,3
150	461 415.		330	38	126		1,3	2,1

* higher closing pressure and bigger DN on request



DN	15	20	25	32	40	50	65	80	100	125	150
Height H*	661	675	669	676	681	683	813	814	821	924	940
Stud length H1	65	70	75	80	90	100	120	130	150	200	210
Length L	130	150	160	180	200	230	290	310	350	400	480
Weight kg	16	17	18	21	22	25	44	48	62	116	137

* = add. 45mm for actuators with positioner 49sr5 or controller 49r

Electrical wiring:

