

Body: EN-GJS-400-18-LT three way form
for heat transfer oil, as mixing valve
(diverted purpose restricted, see page 038 990)
Pressure range: PN16, PN25
Immersion length acc. to DIN EN 558, basic series 1
Spindle sealing: double wall bellow
and safety stuffing box
Internal parts: stainless steel, replaceable seat rings
Flow characteristic: linear
Positioning ratio: 30:1 (up to 50:1)
Leakage: < 0,01% Kvs

Valve body special type:

Weld-on ends similar to DIN EN 12627
(On request with welded pipe section)

Actuator: with manual emergency operation
and load dependent limit switches

Thrust: 2000 N
Power input: 12 VA
Alternatively: 4000 N / 28 VA (appendix ...c)
5500 N / 28 VA (appendix ...d)
Power supply: 230V/50...60Hz
Optionally: 115V/50...60Hz, 24V/50...60Hz, 24VDC
Motor rating standard acc. to DIN EN 60034-1: S1 – 100%
Protection class acc. to DIN EN 60529: IP65

Accessories, special types:

Add. limit switches load dependent (see page 49e)
Add. signal switches travel dependent (see page 49w)
Feedback potentiometer (see page 49f)
Integrated positioner (see page 49sr)
Integrated process controller (see page 49r)
Feedback signal 4-20mA / 0-10V
Actuator heater (on request)
Other positioning speed (on request)
Reduced Kvs- values (on request)

Order text:

Motor control valve in three way form, with mixing plug
EN-GJS-400-18-LT, PN . . , DN . . , Kvs . . .
Type with weld-on ends
Spindle sealing with bellow
Power supply . . . , closing pressure . . . bar
List-No.: PN16: 461 4 . . -69fs . , PN25: 461 5 . . -69fs .
Accessories: . . .

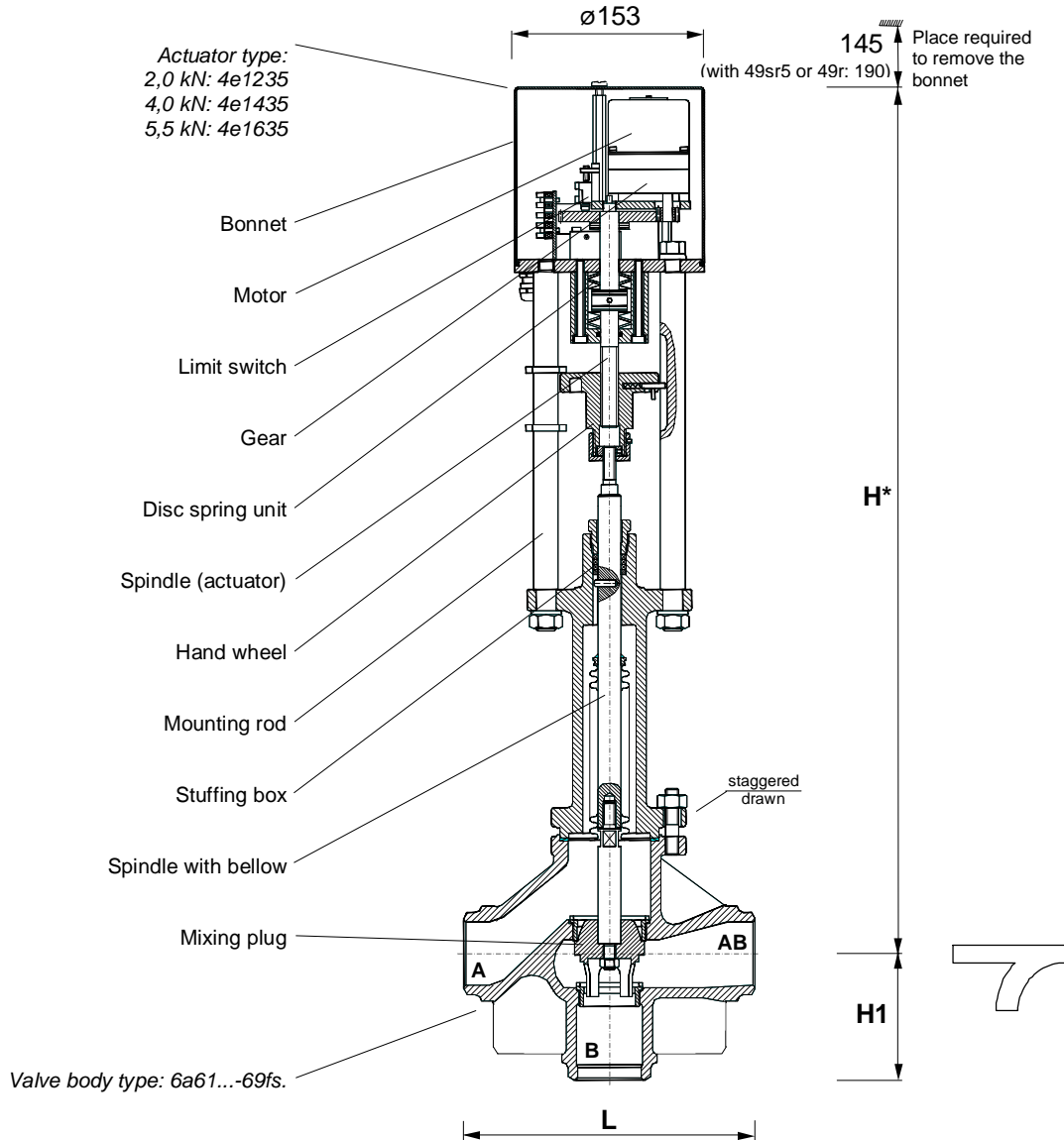


Pressure-temperature ratings acc. to DIN EN 1092-2:

by:		-10...50	100	150	200	250	300	350	°C
PN16	EN-GJS-400-18-LT	16	16	15,5	14,7	13,9	12,8	11,2	bar
PN25	EN-GJS-400-18-LT	25	25	24,3	23	21,8	20	17,5	bar

DN	List-No.		Kvs m³/h	Stroke mm	Pos. time sec	Closing pressure* (bar)		
	PN 16	PN 25				2000N	4000N	5500N
15	461 400-69fsa	461 500-69fsa	4	20	66	25,0		
20	461 401-69fsa	461 501-69fsa	6,3	20	66	25,0		
25	461 402-69fsa	461 502-69fsa	10	20	66	25,0		
32	461 403.-69fsa	461 503.-69fsa	16	20	66	17,3	25,0	
40	461 404.-69fsa	461 504.-69fsa	25	20	66	10,8	25,0	
50	461 405.-69fsb	461 505.-69fsb	40	20	66	6,6	16,0	23,0
65	461 406.-69fsb	461 506.-69fsb	63	30	99	3,4	9,1	13,3
80	461 408.-69fsb	461 508.-69fsb	100	30	99	2,0	5,8	8,6
100	461 410.-69fsb	461 510.-69fsb	160	30	99	1,1	3,5	5,4
125	461 412.-69fsc	461 512.-69fsc	230	35	116		2,1	3,3
150	461 415.-69fsc		330	38	126		1,3	2,1

* = higher closing pressures and bigger DN on request



DN	15	20	25	32	40	50	65	80	100	125	150
Height H*	661	675	669	676	681	683	813	814	821	924	940
Stud length H1	65	70	75	80	90	100	120	130	150	200	210
Length L	130	150	160	180	200	230	290	310	350	400	480
Weight kg	15	16	17	20	21	24	42	46	60	113	134

* = add. 45mm for actuators with positioner 49sr5 or controller 49r

Electrical wiring:

