

**Body:** GGG-40.3, three way form,  
for heat transfer oil, as mixing valve,  
(diverted purpose restricted ,  
see page 038 990)  
Pressure range: PN 16, PN 25  
Flanges acc. to DIN,  
alternatively: weld-on ends (on request)  
Sealing: VA-bellow double wall,  
and safety stuffing box,  
Internal parts: stainless steel, replaceable seatings,  
Flow characteristic: linear  
Positioning ratio: 50:1  
Leakage: < 0,01% Kvs

**Actuator:** diaphragm area: 250 cm<sup>2</sup>, Ø = 250 mm  
Control signal / closing pressure: see table  
Operating mode (reversible):  
"Spring closes" (optionally "spring opens")  
Air connection: G 1/4",  
Operating pressure: standard type: 1,6 bar,  
other types: ...c: 3bar, ...d: 6bar

**Accessories, special types:**  
Positioner (see page 390 5 and 390 8)  
Electro.-pneum. transformer (see page 3903)  
Limit switch (see page 39e)  
Other kvs- values (on request)  
Distributing valve plug (on request)  
Weld-on ends (on request)

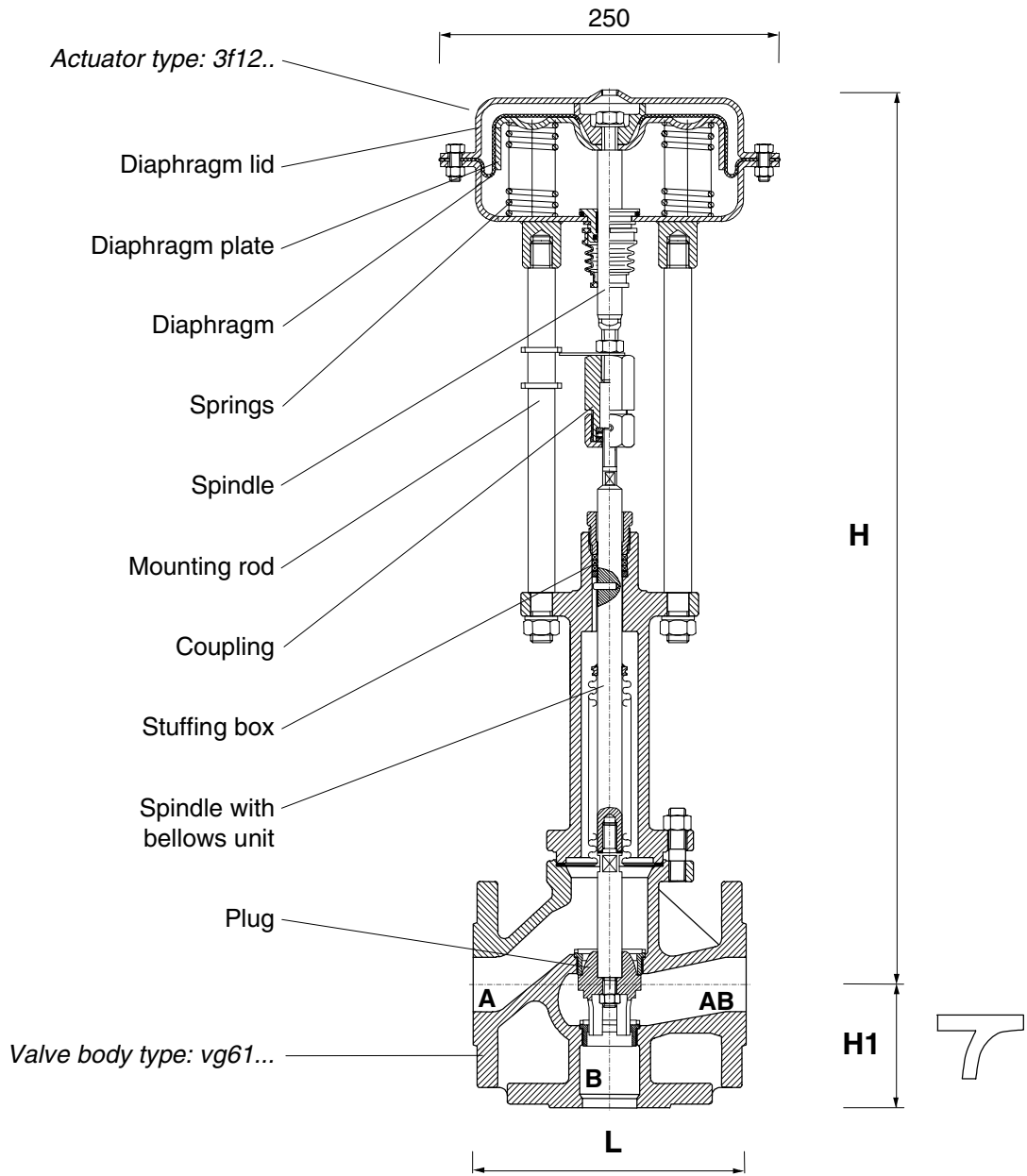
**Order text:**  
Pneum. control valve PN . . , DN . . ,  
in three way form with VA-bellow sealing,  
spring closes / spring opens straightway  
control signal . . . - . . . bar, List No. 361 . . .



**Max. operating pressure:**

by:	120	200	250	300	350	°C
PN 16	16	13	13	13	10	bar
PN 25	25	20	18	16	15	bar

DN	List No.		kvs m <sup>3</sup> /h	Stroke mm	Closing pressure (bar) for control signal:		
	PN 16	PN25			0,4...1,2bar: standard	1,0...2,0bar: type ...c	2,0...4,0bar: type ...d
15	361 400.	361 500.	4,0	20	13,3	25,0	
20	361 401.	361 501.	6,3	20	13,3	25,0	
25	361 402.	361 502.	10	20	11,1	25,0	
32	361 403.	361 503.	16	20	6,3	22,8	25,0
40	361 404.	361 504.	25	20	3,6	14,4	25,0
50	361 405.	361 505.	40	20	1,9	8,9	20,7
65	361 406.	361 506.	63	30	0,6	4,8	11,9
80	361 408.	361 508.	100	30		3,0	7,7
100	361 410.	361 510.	160	30		1,7	4,7
125	361 412.	361 512.	230	35		0,7	2,5
150	361 415.	361 515.	330	40			1,6



DN	15	20	25	32	40	50	65	80	100	125	150
Height H	633	647	641	647	653	655	785	786	793	900	920
Stud length H1	65	70	75	80	90	100	120	130	150	200	210
Immersion length L	130	150	160	180	200	230	290	310	350	400	480
Weight kg	18	19	20	23	24	27	44	48	62	103	133