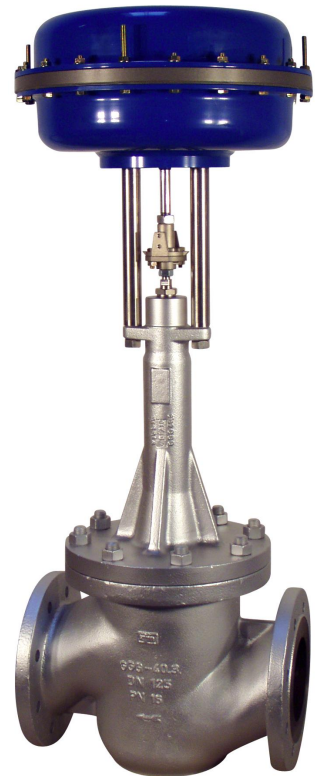


**Body:** two way form, for heat transfer oil  
 Pressure range: body PN16, PN25, PN40  
                   bellow PN25  
 Immersion length acc. to DIN EN 558, basic series 1  
 Flanges acc. to DIN EN 1092-1/2 type 21  
 Spindle sealing: double wall bellow  
 and safety stuffing box  
 Internal parts: stainless steel, replaceable seat rings  
 Flow characteristic: equal percentage (partially modified)  
 Positioning ratio: 30:1 (up to 50:1)  
 Leakage: < 0,01% Kvs

**Actuator:** diaphragm area 800 cm<sup>2</sup>, ø420 mm  
 Control signal / closing pressure: see table  
 Operating mode: "Spring closes straightway"  
 Air connection: G1/4"  
 Operating pressure: 3,7...4,5 bar

**Accessories, special types:**  
 I/P-Positioner, control signal 4...20 mA (see page 390 8)  
 P/P-Positioner, control signal 0,2...1,0 bar (see page 390 5)  
 Electro-pneum. transformer (see page 390 3)  
 Solenoid valve for operating air (see page 393)  
 Limit switches (see page 39e)  
 Inductive limit switches (on request)  
 Manual operating device (on request)  
 Reduced Kvs- values (on request)  
 Weld-on ends (on request)  
 Flange drillings acc. to ANSI / JIS (on request)



**Order text:**  
 Pneumatic control valve in two way form  
 Material . . . , PN . . . , DN . . . , Kvs . . .  
 Spindle sealing with bellow  
 Spring closes straightway  
 Control signal . . . - . . . bar, closing pressure . . . bar  
 List-No.: PN16: 351 4 . . Sg . . . , PN25: 351 5 . . Sg . . . , PN40(25): 351 6 . . Sg . . .  
 Accessories: . . .

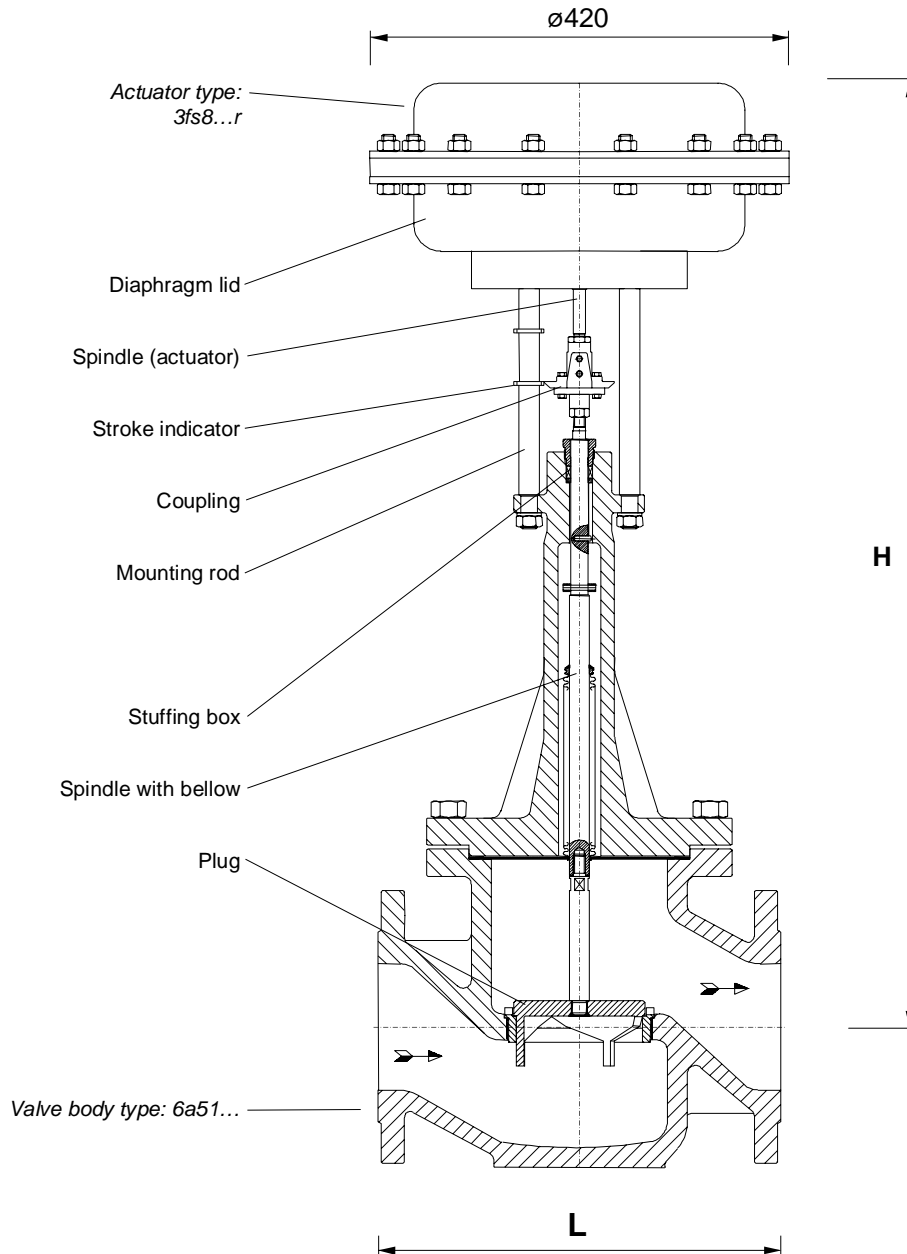
**Pressure-temperature ratings acc. to DIN EN 1092-2:**

by:		-10...50	100	150	200	250	300	350	400	°C
PN16	EN-GJS-400-18-LT	16	16	15,5	14,7	13,9	12,8	11,2	-	bar
PN25	EN-GJS-400-18-LT	25	25	24,3	23	21,8	20	17,5	-	bar
PN40(25)*	GP240GH+N	25	25	25	25	25	25	24	21	bar

\* = acc. to KFM norm

DN	List-No.			Kvs m <sup>3</sup> /h	Stroke mm	Closing pressure** (bar) type ...Sg
	PN16	PN25	PN40(25)			
<b>65</b>	351 406Sg	351 506Sg	351 606Sg	63	30	25,0
<b>80</b>	351 408Sg	351 508Sg	351 608Sg	100	30	24,7
<b>100</b>	351 410Sg	351 510Sg	351 610Sg	160	30	16,0
	351 460Sg	351 560Sg	351 660Sg	100	30	25,0
<b>125</b>	351 412Sg	351 512Sg		230	40	10,0
	351 412Sg_140a	351 512Sg_140a		140	30	16,0
	351 412Sg_100a	351 512Sg_100a		100	30	24,7
<b>150</b>	351 415Sg			330	40	6,8
	351 415Sg_250a			250	40	10,0
	351 415Sg_150a			150	30	16,0

\*\* = DN200: see page 351420Sg/k, DN>200 on request



DN	65	80	100	125	150
Height H	865	866	875	975	990
Length L	290	310	350	400	480
Weight kg	81	85	95	141	161