

Body: two way form, for heat transfer oil
 Pressure range: body PN16, PN25, PN40
 bellow PN25
 Immersion length acc. to DIN EN 558, basic series 1
 Flanges acc. to DIN EN 1092-1/2 type 21
 Spindle sealing: double wall bellow
 and safety stuffing box
 Internal parts: stainless steel, replaceable seat rings
 Flow characteristic: equal percentage (partially modified)
 Positioning ratio: 30:1 (up to 50:1)
 Leakage: < 0,01% Kvs

Actuator: diaphragm area 400 cm², ø310 mm
 Control signal / closing pressure: see table
 Operating mode: "Spring closes straightway "
 Air connection: G1/4"
 Operating pressure: 4,4...5,0 bar

Accessories, special types:
 I/P-Positioner, control signal 4...20 mA (see page 390 8)
 P/P-Positioner, control signal 0,2...1,0 bar (see page 390 5)
 Electro-pneum. transformer (see page 390 3)
 Solenoid valve for operating air (see page 393)
 Limit switches (see page 39e)
 Inductive limit switches (on request)
 Manual operating device (on request)
 Reduced Kvs- values (on request)
 Weld-on ends (on request)
 Flange drillings acc. to ANSI / JIS (on request)



Order text:
 Pneumatic control valve in two way form
 Material . . . , PN . . . , DN . . . , Kvs . . .
 Spindle sealing with bellow
 Spring closes straightway
 Control signal . . . - . . . bar, closing pressure . . . bar
 List-No.: PN16: 351 4 . . Se, PN25: 351 5 . . Se, PN40(25): 351 6 . . Se
 Accessories: . . .

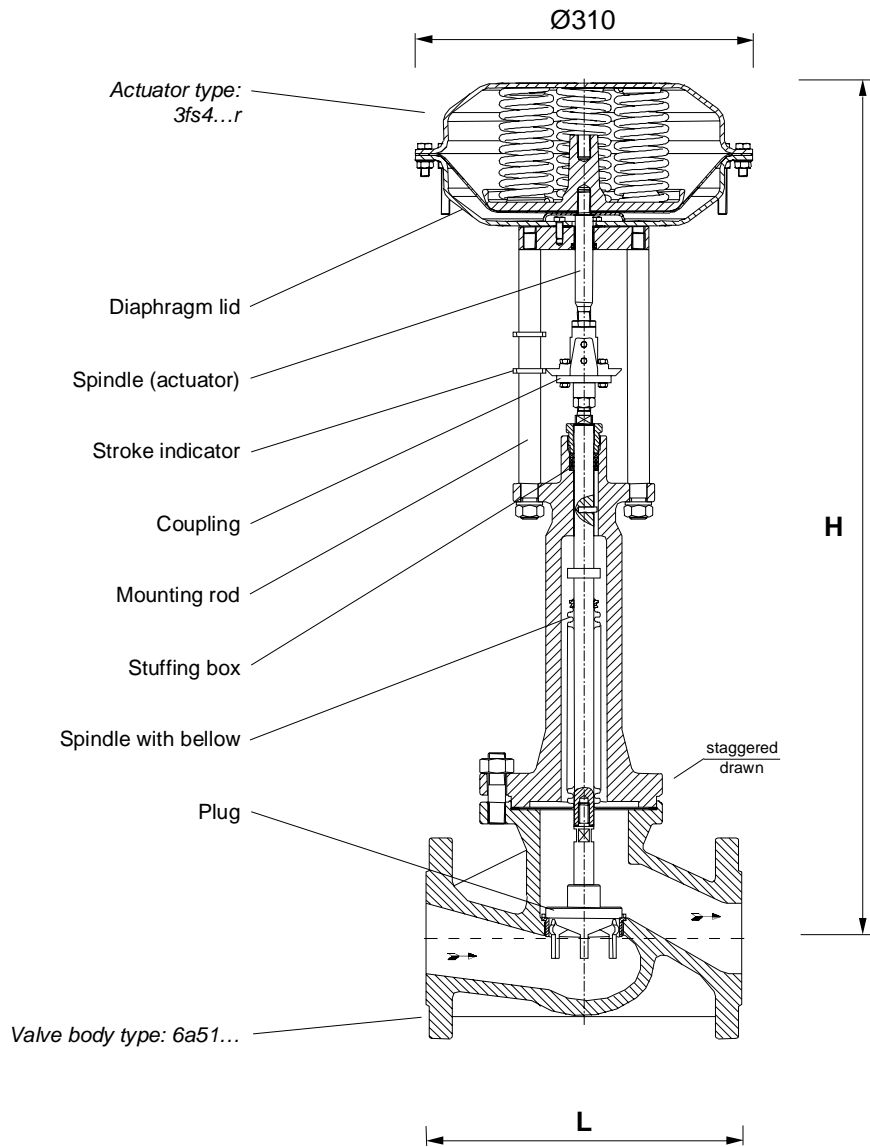
Pressure-temperature ratings acc. to DIN EN 1092-2:

by:		-10...50	100	150	200	250	300	350	400	°C
PN16	EN-GJS-400-18-LT	16	16	15,5	14,7	13,9	12,8	11,2	-	bar
PN25	EN-GJS-400-18-LT	25	25	24,3	23	21,8	20	17,5	-	bar
PN40(25)*	GP240GH+N	25	25	25	25	25	25	24	21	bar

* = acc. to KFM norm

DN	List-No.			Kvs m ³ /h	Stroke mm	Closing pressure** (bar) type ...Se
	PN16	PN25	PN40(25)			
50	351 405Se	351 505Se	351 605Se	40	20	25,0
	351 455Se	351 555Se	351 655Se	25	20	25,0
	351 475Se	351 575Se	351 675Se	16	20	25,0
65	351 406Se	351 506Se	351 606Se	63	30	25,0
	351 456Se	351 556Se	351 656Se	40	20	25,0
	351 476Se	351 576Se	351 676Se	25	20	25,0
80	351 408Se	351 508Se	351 608Se	100	30	17,2
	351 458Se	351 558Se	351 658Se	63	20	25,0
	351 478Se	351 578Se	351 678Se	40	20	25,0
100	351 410Se	351 510Se	351 610Se	160	30	10,9
	351 460Se	351 560Se	351 660Se	100	30	25,0
	351 480Se	351 580Se	351 680Se	63	22	25,0

** = higher closing pressures and DN125-150 see page 351Sg, DN200: see page 351420Sg/k, DN>200 on request



DN	50	65	80	100
Height H	690	819	820	830
Length L	230	290	310	350
Weight kg	28	46	50	60