

Body: two way form, for heat transfer oil
 Pressure range: body PN16, PN25, PN40
 bellow PN25
 Immersion length acc. to DIN EN 558, basic series 1
 Flanges acc. to DIN EN 1092-1/2 type 21
 Spindle sealing: double wall bellow
 and safety stuffing box
 Internal parts: stainless steel, replaceable seat rings
 Flow characteristic: equal percentage (partially modified)
 Positioning ratio: 30:1 (up to 50:1)
 Leakage: < 0,01% Kvs

Actuator: diaphragm area 250 cm², ø250 mm
 Control signal / closing pressure: see table
 Operating mode (reversible):
 "Spring closes straightway "
 Air connection: G1/4"
 Operating pressure: standard type: 1,6 bar
 other types: ...c: 2,4 bar, ...d: 4,4 bar

Accessories, special types:
 I/P-Positioner, control signal 4...20 mA (see page 390 8)
 P/P-Positioner, control signal 0,2...1,0 bar (see page 390 5)
 Electro-pneum. transformer (see page 390 3)
 Solenoid valve for operating air (see page 393)
 Limit switches (see page 39e)
 Inductive limit switches (on request)
 Manual operating device (see page 39h)
 Reduced Kvs- values (on request)
 Weld-on ends (on request)
 Flange drillings acc. to ANSI / JIS (on request)

Order text:

Pneumatic control valve in two way form
 Material . . . , PN . . . , DN . . . , Kvs . . .
 Spindle sealing with bellow
 Spring closes (opens) straightway
 Control signal . . . - . . . bar, closing pressure . . . bar
 List-No.: PN16: 351 4 . . . , PN25: 351 5 . . . , PN40(25): 351 6 . . .
 Accessories: . . .

Pressure-temperature ratings acc. to DIN EN 1092-2:

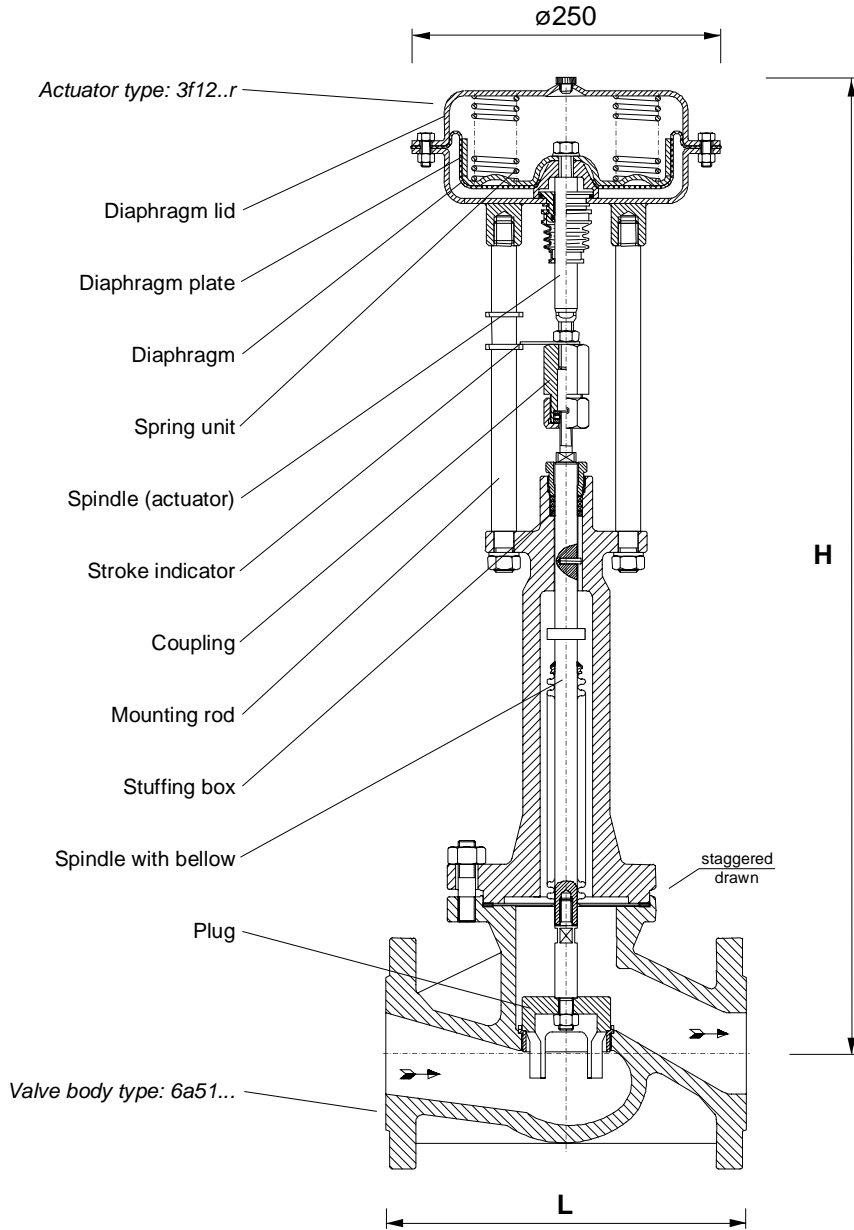
by:		-10...50	100	150	200	250	300	350	400	°C
PN16	EN-GJS-400-18-LT	16	16	15,5	14,7	13,9	12,8	11,2	-	bar
PN25	EN-GJS-400-18-LT	25	25	24,3	23	21,8	20	17,5	-	bar
PN40(25)*	GP240GH+N	25	25	25	25	25	25	24	21	bar

* = acc. to KFM norm

DN	PN16	List-No.		Kvs m ³ /h	Hub mm	Closing pressure** (bar) for control signal...		
		PN25	PN40(25)			0,4...1,2bar: standard	1,0...2,0bar: type ...c	2,0...4,0bar: type ...d
15	351 400.	351 500.	351 600.	4,0	20	17,9	25,0	
20	351 401.	351 501.	351 601.	6,3	20	17,9	25,0	
25	351 402.	351 502.	351 602.	10	20	11,1	25,0	
32	351 403.	351 503.	351 603.	16	20	6,3	22,8	25,0
40	351 404.	351 504.	351 604.	25	20	3,6	14,4	25,0
50	351 405.	351 505.	351 605.	40	20	1,9	8,9	20,7
65	351 406.	351 506.	351 606.	63	30	0,6	4,8	11,9
80	351 408.	351 508.	351 608.	100	30		3,0	7,7
100	351 410.	351 510.	351 610.	160	30		1,7	4,7
125	351 412d	351 512d		230	40			2,5
150	351 415d			330	40			1,6

** = higher closing pressures see pages 351Se / 351Sg, DN200: see page 351420Sg/k, DN>200 on request





DN	15	20	25	32	40	50	65	80	100	125	150
Height H	633	647	641	648	653	656	785	786	793	896	912
Length L	130	150	160	180	200	230	290	310	350	400	480
Weight kg	19	20	21	22	24	26	45	49	59	106	126