

Body: two way form, for water and steam
 Pressure range: PN16, PN25, PN40
 Immersion length acc. to DIN EN 558, basic series 1
 Flanges acc. to DIN EN 1092-1/2 type 21
 Spindle sealing: spring-loaded PTFE-V-ring unit
 for media temperatures up to 250°C
 Alternatively: graphite-packing
 for media temperatures up to 400°C
 Internal parts: stainless steel, replaceable seat rings
 Flow characteristic: equal percentage (partially modified)
 Positioning ratio: 30:1 (up to 50:1)
 Leakage: < 0,01% Kvs

Actuator: diaphragm area 400 cm², ø310 mm
 Control signal / closing pressure: see table
 Operating mode (reversible):
 "Spring closes straightway"
 Air connection: G1/4"
 Operating pressure: 4,4...5,0 bar

Accessories, special types:
 I/P-Positioner, control signal 4...20 mA (see page 390 8)
 P/P-Positioner, control signal 0,2...1,0 bar (see page 390 5)
 Electro-pneum. transformer (see page 390 3)
 Solenoid valve for operating air (see page 393)
 Limit switches (see page 39e)
 Inductive limit switches (on request)
 Manual operating device (on request)
 Other reduced Kvs- values (on request)
 Soft sealing for max. 200°C (on request)
 Perforated plug (on request)
 Weld-on ends (on request)
 Flange drillings acc. to ANSI / JIS (on request)

Order text:

Pneumatic control valve in two way form
 Material . . . , PN . . . , DN . . . , Kvs . . .
 Spindle sealing with PTFE-V-ring unit
 Spring closes straightway
 Control signal . . . - . . . bar, closing pressure . . . bar
 List-No.: PN16: 321 4 . . Se, PN25: 321 5 . . Se, PN40: 321 7 . . Se
 Accessories: . . .

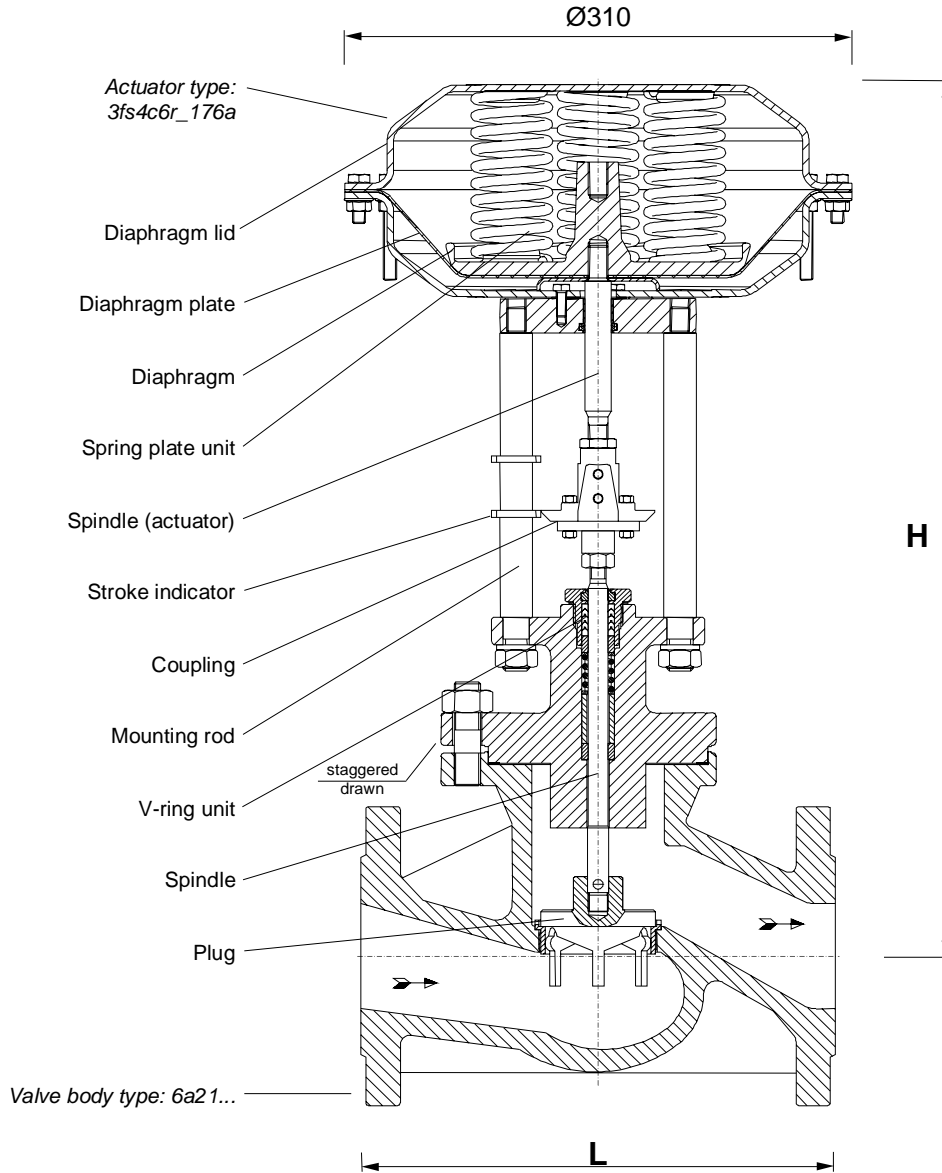
Pressure-temperature ratings acc. to DIN EN 1092-1/2:

by:		-10...50	100	150	200	250	300	350	400	°C*
PN16	EN-GJS-400-18-LT	16	16	15,5	14,7	13,9	12,8	11,2	-	bar
PN25	EN-GJS-400-18-LT	25	25	24,3	23	21,8	20	17,5	-	bar
PN40	GP240GH+N	40	37,3	34,7	30,2	28,4	25,8	24	23,1	bar

* = max. 250°C for spindle sealing with PTFE-V-ring unit

DN	List-No.			Kvs m ³ /h	Stroke mm	Closing pressure (bar) type ...Se
	PN16	PN25	PN40			
50	321 405Se	321 505Se	321 705Se	40	20	40,0
	321 455Se	321 555Se	321 755Se	25	20	40,0
	321 475Se	321 575Se	321 775Se	16	20	40,0
65	321 406Se	321 506Se	321 706Se	63	30	26,1
	321 456Se	321 556Se	321 756Se	40	20	40,0
	321 476Se	321 576Se	321 776Se	25	20	40,0
80	321 408Se	321 508Se	321 708Se	100	30	17,2
	321 458Se	321 558Se	321 758Se	63	20	26,1
	321 478Se	321 578Se	321 778Se	40	20	40,0
100	321 410Se	321 510Se	321 710Se	160	30	10,9
	321 460Se	321 560Se	321 760Se	100	30	26,1
	321 480Se	321 580Se	321 780Se	63	22	26,1





DN	50	65	80	100
Height H	528	571	572	579
Length L	230	290	310	350
Weight kg	29	47	51	61