

Body: two way form, for water and steam
 Pressure range: PN16, PN25, PN40
 Immersion length acc. to DIN EN 558, basic series 1
 Flanges acc. to DIN EN 1092-1/2 type 21
 Spindle sealing: spring-loaded PTFE-V-ring unit
 for media temperatures up to 250°C
 Alternatively: graphite-packing
 for media temperatures up to 400°C
 Internal parts: stainless steel, replaceable seat rings
 Flow characteristic: equal percentage (partially modified)
 Positioning ratio: 30:1 (up to 50:1)
 Leakage: < 0,01% Kvs

Actuator: diaphragm area 250 cm², ø250 mm
 Control signal / closing pressure: see table
 Operating mode (reversible):
 "Spring closes straightway"
 Air connection: G1/4"
 Operating pressure: standard type: 1,6 bar
 other types: ...c: 2,4 bar, ...d: 4,4 bar

Accessories, special types:
 I/P-Positioner, control signal 4...20 mA (see page 390 8)
 P/P-Positioner, control signal 0,2...1,0 bar (see page 390 5)
 Electro-pneum. transformer (see page 390 3)
 Solenoid valve for operating air (see page 393)
 Limit switches (see page 39e)
 Inductive limit switches (on request)
 Manual operating device (see page 39h)
 Other reduced Kvs- values (on request)
 Soft sealing for max. 200°C (on request)
 Perforated plug (on request)
 Weld-on ends (on request)
 Flange drillings acc. to ANSI / JIS (on request)

Order text:
 Pneumatic control valve in two way form
 Material . . . , PN . . . , DN . . . , Kvs . . .
 Spindle sealing with PTFE-V-ring unit
 Spring closes (opens) straightway
 Control signal . . . - . . . bar, closing pressure . . . bar
 List-No.: PN16: 321 4 . . . , PN25: 321 5 . . . , PN40: 321 7 . . .
 Accessories: . . .

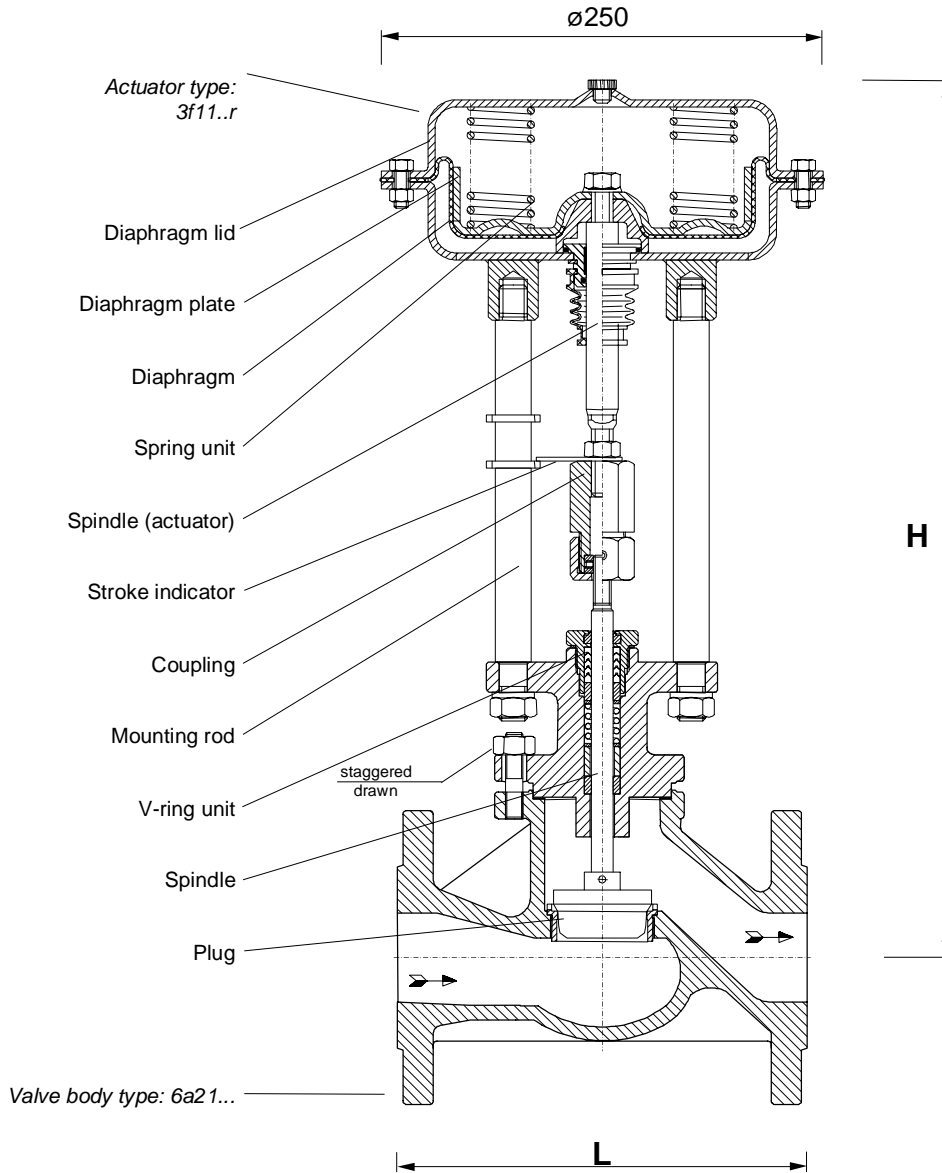


Pressure-temperature ratings acc. to DIN EN 1092-1/2:

by:	-10...50	100	150	200	250	300	350	400	°C*
PN16 EN-GJS-400-18-LT	16	16	15,5	14,7	13,9	12,8	11,2	-	bar
PN25 EN-GJS-400-18-LT	25	25	24,3	23	21,8	20	17,5	-	bar
PN40 GP240GH+N	40	37,3	34,7	30,2	28,4	25,8	24	23,1	bar

* = max. 250°C for spindle sealing with PTFE-V-ring unit

DN	PN16	List-No.		Kvs m ³ /h	Stroke mm	Closing pressure (bar) for control signal...		
		PN25	PN40			0,4...1,2bar: standard	1,0...2,0bar: type ...c	2,0...4,0bar: type ...d
65	321 406.	321 506.	321 706.	63	30	0,6	4,8	11,9
	321 456.	321 556.	321 756.	40	20	1,9	8,9	20,7
	321 476.	321 576.	321 776.	25	20	3,6	14,4	25,0
80	321 408.	321 508.	321 708.	100	30		3,0	7,7
	321 458.	321 558.	321 758.	63	20	0,6	4,8	11,9
	321 478.	321 578.	321 778.	40	20	1,9	8,9	20,7
100	321 410.	321 510.	321 710.	160	30		1,7	4,7
	321 460.	321 560.	321 760.	100	30		3,0	11,9
	321 480.	321 580.	321 780.	63	22	0,6	4,8	11,9



DN	65	80	100
Height H	525	526	533
Length L	290	310	350
Weight kg	38	41	51