

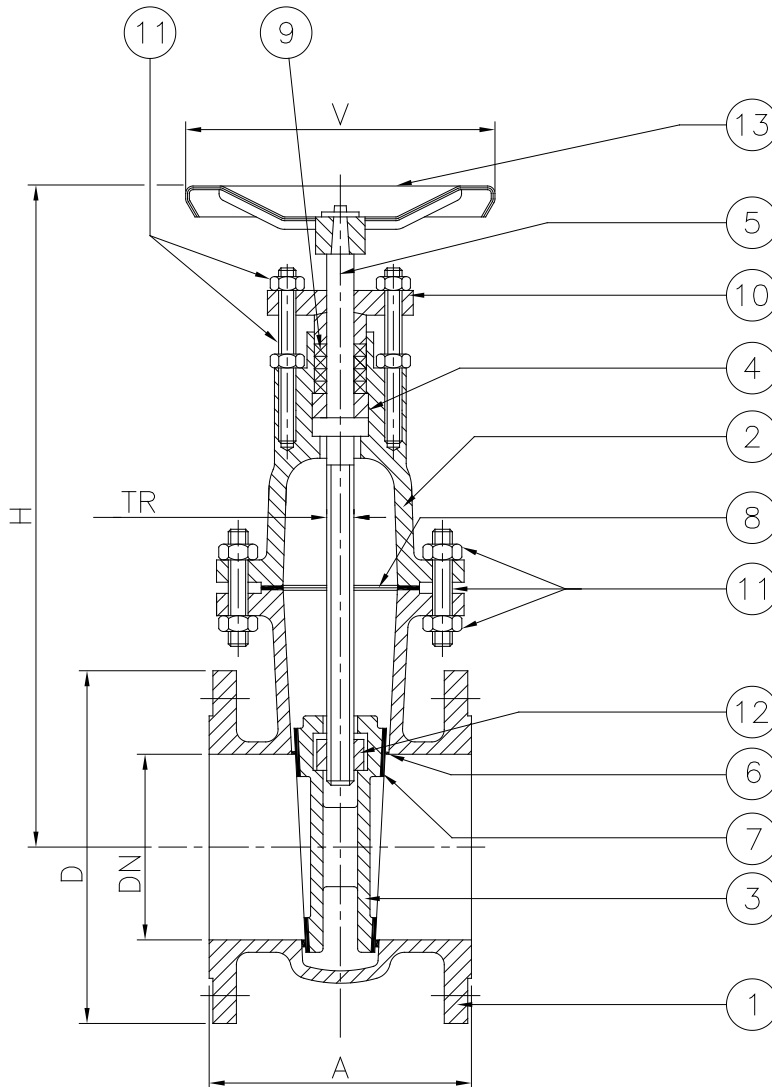
Gate Valve Inside Screw

PN 16 DN 50 - DN 1000

Flanges PN 16 or PN 10



Fig. 205-505



0948

Rel. 6.0

Standard features:

- Design EN 12516
EN 1984
- Face to face EN 558 series 14
DIN 3202 F4
- Flanges EN 1092-1/21/B1
- Materials EN 10213
EN 10269
EN 10088
- Bolts and nuts EN 1515-1
- Welding overlay AD-M HP 0
- Testing EN 1984
EN 12266
- Marking EN 19
- Certificates EN 10204

Optional versions:

- AD 2000 – A4
- TRD 110
- DIN 3230 Part 4
- DIN 3230 Part 5
- DIN 3230 Part 6
- TRbF 131
- TRbF 301 or 302
- ATEX
- TA-Luft
- With flanges PN 6
- With flanges form A, B2, C, D, E, F, G, H
- With butt welding ends (EN 12982 / EN 12627)
- With special devices (see pages 34 – 35)

	DESCRIPTION	FIG. 205	FIG. 305	FIG. 305-J	FIG. 405	Fig. 405-H	FIG. 505
1	Body	1.0619	1.4581	1.4308	1.7357	1.7379	1.1138
2	Bonnet	1.0619 (1)	1.4581	1.4308	1.7357	1.7379	1.1138
3 x	Wedge	1.0619	1.4581	1.4308	1.7357	1.7379	1.1138
4 x	Retaining ring	1.0511	1.4571	1.4301	1.0511	1.0511	1.0511
5 x	Stem	1.4021 (2)	1.4571 (2)	1.4301 (2)	1.4021 (2)	1.4021 (2)	1.4021 (2)
6	Body seats	1.4502 (3)	1.4430 (3)	1.4316 (3)	1.4502 (3)	Stellite	1.4502 (3)
7	Wedge seats	1.4502 (3)	1.4581 (3)	1.4308 (3)	1.4502 (3)	Stellite	1.4502 (3)
8 O	Gasket	Graphite+1.4401 (4)	Graphite+1.4401 (4)	PTFE (4)	Graphite+1.4401 (4)	Graphite+1.4401 (4)	Graphite+1.4401 (4)
9 O	Packing	Graphite+1.4401 (4)	Graphite+1.4401 (4)	PTFE (4)	Graphite+1.4401 (4)	Graphite+1.4401 (4)	Graphite+1.4401 (4)
10 x	Gland	1.0402	1.4571	1.4301	1.0402	1.0402	1.4301
11	Bolts	1.7225 (5)	1.4301 (5)	1.4301 (5)	1.7711 (5)	1.7711 (5)	1.7225 (5)
11	Nuts	1.1191 (5)	1.4301 (5)	1.4301 (5)	1.7225 (5)	1.7225 (5)	1.7225 (5)
12 x	Sleeve	1.4401 NHT	1.4401 NHT	1.4301 NHT	1.4401 NHT	1.4401 NHT	1.4401 NHT
13 x	Handwheel	Pressed steel	Pressed steel	Pressed steel	Pressed steel	Pressed steel	Pressed steel

(1) can be supplied 1.0352 from DN 50 up to DN 150.

(2) Also available on request 1.4571, 1.4301, 1.3964, Hastelloy, or other materials.

(3) Also available on request stellite, 1.4462 (duplex), 1.4430, 1.4316, Hastelloy, or other materials.

(4) Also available on request PTFE, Gore-tex, graphite, or other materials and different desing (e.g. cam-profile).

(5) Also available on request 1.7225 / 1.1191, 1.7711 / 1.7225, 1.4401, 1.4301, A4-70 or other materials.

O recommended spare parts for 2 years standard service; x recommended spare parts for 5 years standard service.

Dimensions

	DN	A	D	H	TR	V	Kg	$\Delta p^{(6)}$	Wedge (7)
PN 16	50	150	165	280	18 x 4	200	15	16	Split
	65	170	185	340	20 x 4	200	22	16	Split
	80	180	200	370	20 x 4	200	25	16	Split
	100	190	220	380	20 x 4	200	30	16	Split
	125	200	250	420	24 x 5	250	37	16	Split
	150	210	285	500	24 x 5	250	50	16	Flexible
	200	230	340	600	28 x 5	300	80	16	Flexible
	250	250	405	760	32 x 6	400	148	16	Flexible
	300	270	460	825	32 x 6	400	175	13	Flexible
	350	290	520	910	32 x 6	400	245	10	Flexible
	400	310	580	950	36 x 6	400	295	7	Flexible
	450	330	640	1180	40 x 7	500	480	0	Flexible
	500	350	715	1215	40 x 7	500	605	0	Flexible
	600	390	840	1380	40 x 7	500	930	0	Flexible
	700	430	910	1500	50 x 8	600	1070	0	Flexible
	800	470	1025	1670	50 x 8	600	1440	0	Flexible
900	510	1125	1810	60 x 9	600	1770	0	Flexible	
1000	550	1255	2020	60 x 9	600	2120	0	Flexible	

(6) Maximum differential pressure for manoeuvre without gear box or by-pass according to EN 12570 (if equal to 0 the gearbox is recommended).

(7) Standard wedge type. Other execution available on request.

Pressure Temperature Ratings (°C / bar)

	PN	-195	-150	-100	-50	-10	0	20	100	150	200	250	300	350	400	425	450	475	500	525	550	575	600	
Fig. 205	16				16.0	16.0	15.8	14.9	13.7	12.4	11.4	10.3	9.6	9.2	7.6	5.9								
Fig. 305(8)	16			16.0	16.0	16.0	16.0	15.4	13.2	12.3	11.4	10.8	10.3	9.8	9.2	9.1	8.9	8.7	8.5	8.4	8.2			
Fig. 305-J	16	16.0	16.0	16.0	16.0	16.0	16.0	15.1	11.4	10.1	8.9	8.4	7.8											
Fig. 405(8)(9)	16				16.0	16.0	16.0	16.0	16.0	16.0	16.0	16.0	16.0	15.3	14.2	13.9	13.5	10.9	8.3	6.1	3.9			
Fig. 405-H(9)	16				16.0	16.0	16.0	16.0	16.0	16.0	16.0	16.0	16.0	16.0	16.0	15.8	15.5	12.6	9.7	7.2	4.7	3.3	2.0	
Fig. 505	16				16.0	16.0	16.0	15.6	14.2	13.5	12.8	12.4	12.1											

Please, in the inquiry and in the order, specify always the maximum service temperature when it's over 100 °C.

If the valves are provided with flanged connection PN 10 or PN 6 the maximum allowable pressure must be proportionally reduced.

(8) Suitable over 450 °C only if provided with stellite seats. (9) Suitable over 530 °C only if provided with 1.3964 stem.

Due to short face to face depending on DN and required execution some flange holes can be treaded.

General sale and delivery conditions and product guarantee as specified at pages 56 and 57.

Due to constant improvement all data and details contained in this catalogue are purely indicative and they can be subjected to change without notice.