

# Data sheet for the heater in AB-Actuators

## 1 Safety instructions

**ATTENTION:** The heater resistor in the standard variant can be electrified and must therefore not be touched during operation. There is a risk of electric shock if touched.

**ATTENTION:** The heater resistor in the standard and ex-protected variant gets very hot during operation and must not be touched. There is a risk of burns if touched.



## 2 Technical specifications

### 2.1 Standard heater

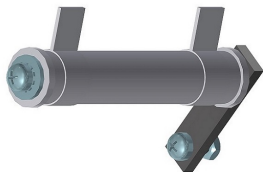
Nominal voltage ( $\pm 10\%$ )	Resistor	Nominal Power
24V .....	150Ohm .....	3,8W
230V .....	10kOhm .....	5,3W
110V .....	2,5kOhm .....	4,8W

### 2.2 Ex-protected heater

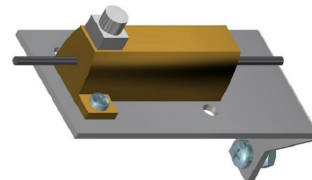
Nominal voltage ( $\pm 10\%$ )	Resistor	Nominal Power
24V .....	100Ohm .....	6W
230V .....	9,1kOhm .....	6W
110V .....	2kOhm .....	6W

## 3 Mounting positions

Image 1 and 2 show the heater resistors in standard and ex-protected variants with mounting material.

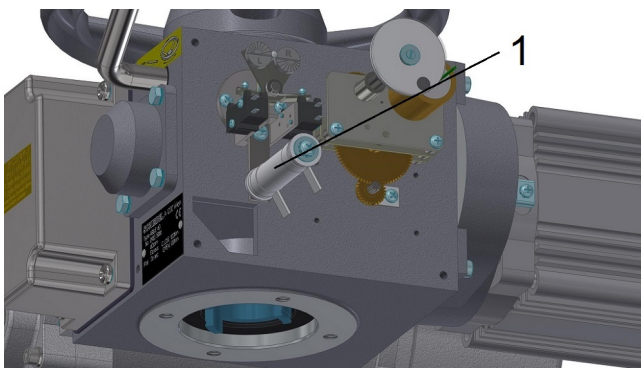


**Figure 1:** Heater resistor, standard

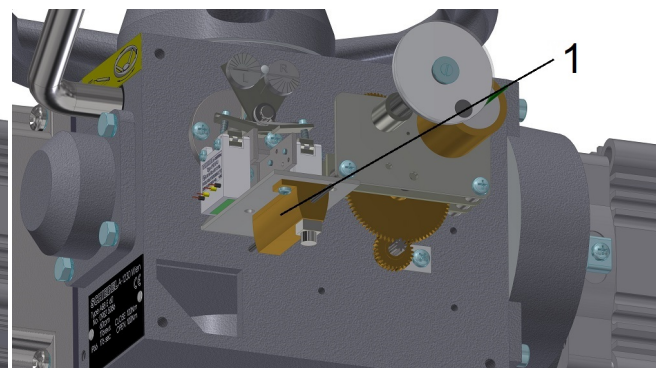


**Figure 2:** Heater resistor, ex-protected

Image 3 and 4 show possible mounting varieties of the heater. The heater does not have to be mounted as shown. Depending on the actuator design, the position of the heater may vary inside the positioning unit.



**Figure 3:** 1... Standard heater



**Figure 4:** 1... Ex-protected-heater