

DN 15 up to DN 50

New generation of pinch control valves with revised inner tube for demanding applications or food fluids.

- Compact design with rotatable actuator
- Unaffected by contaminated, granulated, viscous, doughy and aggressive media
- Usable for sanitary and aseptic applications because of hygienic sealing
- All components in contact with the fluid made of 1.4435
- Integrated positioner
 - pneumatic
 - electropneumatic
 - digital



Technical Information

Nominal Sizes	DN 15 up to DN 50
Connections	Pipe threats nach ISO 228-1 G 1/2" up to G 2", NPT-treats Inner sticking socket PVC Welding ends acc. to DIN or ISO Tri-Clamp-connector (inch)
Body material	Stainless steel 1.4408, no contact with the fluid
Material in contact with the fluid	Stainless steel 1.4435 (except cement socket PVC)
Nominal pressure	PN 6
Operating pressure	0 - 6 bar
Media	Liquids, gases, suspensions, granulate or limestone
Fluid Temperature	Tube material NBR (FDA): -20°C up to +80°C (short-duration, steam +130°C*)
	Tube material FKM: -10°C up to +130°C
	Tube material EPDM (FDA): -30°C up to +95°C (short-duration, steam +130°C*)
	Tube material Silikon: -40°C up to +160°C
	Tube material SBR: -30°C up to +80°C
Ambient temperature	-15°C up to +60°C

*short-duration rise of temperature only when the valve is fully open

Positioner

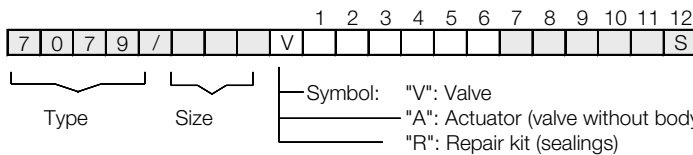
For technical data of the positioner please see the corresponding datasheets.

Admissible Differential Pressures

DN	Tube material	Max. working pressure (bar)	Pilot pressure (bar)	Actuator size (mm)	springs
15 / 20	EPDM	6	4- 6	80	1
	NBR				
	FKM				
	Silicone				
	SBR				
25 / 32	EPDM	6	5 -6	80	2
	NBR				
	FKM				
	Silicone				
	SBR				
40 / 50	NBR	2	5 -6	80	2
	FKM				
	Silicone	3	3 - 6	125	2
	EPDM				
	NBR	4	3 - 6	125	2
	FKM				
Silicone	6	3 - 6	125	2	

minimum working pressure 0,5 bar

Ordering Number System



1 - 6 : Please quote all 6 sections.
 7 - 12: Quote only if required.

1. Design	2. Connection	3. Connecting parts	4. Tube material	5. Positioner	6. Actuator	7. Springs
8 Pinch control valve Type 7079	0 Pipe thread acc. DIN 2999 / ISO 228 3 Inner sticking socket 5 NPT-thread D with welding ends acc. DIN I with welding ends acc. ISO Z Tri-Clamp connection (inch)	- no specifications 2 Stainless steel 6 PVC	- without 1 FKM (Viton) 2 EPDM 3 NBR 4 SBR 5 Silicone	6 p/p positioner Type 8047 7 i/p positioner Type 8047 8 ditto, with plug connec. M12x1 Type 8047 ditto, II 2 G EEx ib IIC T6 + plug conn.M12x1 Type 8047 C digital positioner, Type 8049, 4 wire R digital positioner, Type 8049, 2 wire T digital positioner Type 8049, AS-i version W digital positioner Type 8049, 2 wire, e-ex-version	1 Piston Ø80 mm 6 Piston Ø80 mm (NPT) 2 Piston Ø125 9 Piston Ø125 (NPT) M Piston Ø80 mm with plastic bonnet S Piston Ø80 mm with plastic bonnet (NPT)	- without significance
8. Characteristic	9.	10.	11. Accessories	12. Special versions	13. Seal	14. Position indicator
- mod. linear	- without significance	- without significance	6 Pilot valve DN2, 230 VAC 7 Pilot valve DN2, 24 VDC	S Quote for special versions	- Standard	- without position indicator 0 with position indicator

Ordering example: 7079/025V8D2771-----S-0

Pinch control valve type 7079, DN 25, Weldings ends acc. DIN, Connecting parts stainless steel, tube material EPDM (food grade), electropneumatic positioner, actuator 80 mm, with position indicator

Selection of tube quality

Permissible media temperature

	EPDM	NBR	Viton	Silicon	SBR
T max °C	95	80	130	160	80
T min °C	-30	-20	-10	-40	-30

Resistance*

	EPDM	NBR	VITON	Silicon	SBR
Wastewater	A	A	A	A	A
Ammonia (liquid)	A	B	C	C	B
Ammonia (gaseous)	A	B	C	C	B
Malic acid	B	A	A	B	B
Brake fluid	A	C	C	C	B
Benzine	C	B	A	C	B
Beer	A	A	A	A	C
Bleach liquor	A	C	A	C	C
Butter	B	A	A	B	C
Buttermilk	B	C	A	A	C
Chlorine	B	C	A	C	C
Saturated steam	A	C	B	B	C
Diesel	C	A	A	C	C
Peanut oil	C	A	A	A	C
Vinegar	A	B	B	A	C
Greases (from animals/plants)	C	A	A	B	C
Fatty acids	C	B	A	B	C
Fish oil	B	A	A	A	C
Fruit juices	A	A	A	A	C
Milk of lime	B	B	B	C	A
Cocoa butter	C	C	A	C	C
Carbonic acid	A	A	A	B	C
Coconut oil	C	A	A	A	C
Air with solid particles	B	B	C	C	A
Corn oil	C	A	A	B	C
Margarine	C	A	A	B	C
Caustic soda	A	B	B	B	C
Nut oil	C	A	A	A	C
Rapeseed oil	A	B	A	C	C
Water with solid particles	B	B	C	C	A
Detergent	A	A	A	A	C
Citric acid	A	A	A	A	C

*In the case of information on resistance, this is only a recommendation, errors and omissions excepted (no liability accepted)

A: suitable / resistant

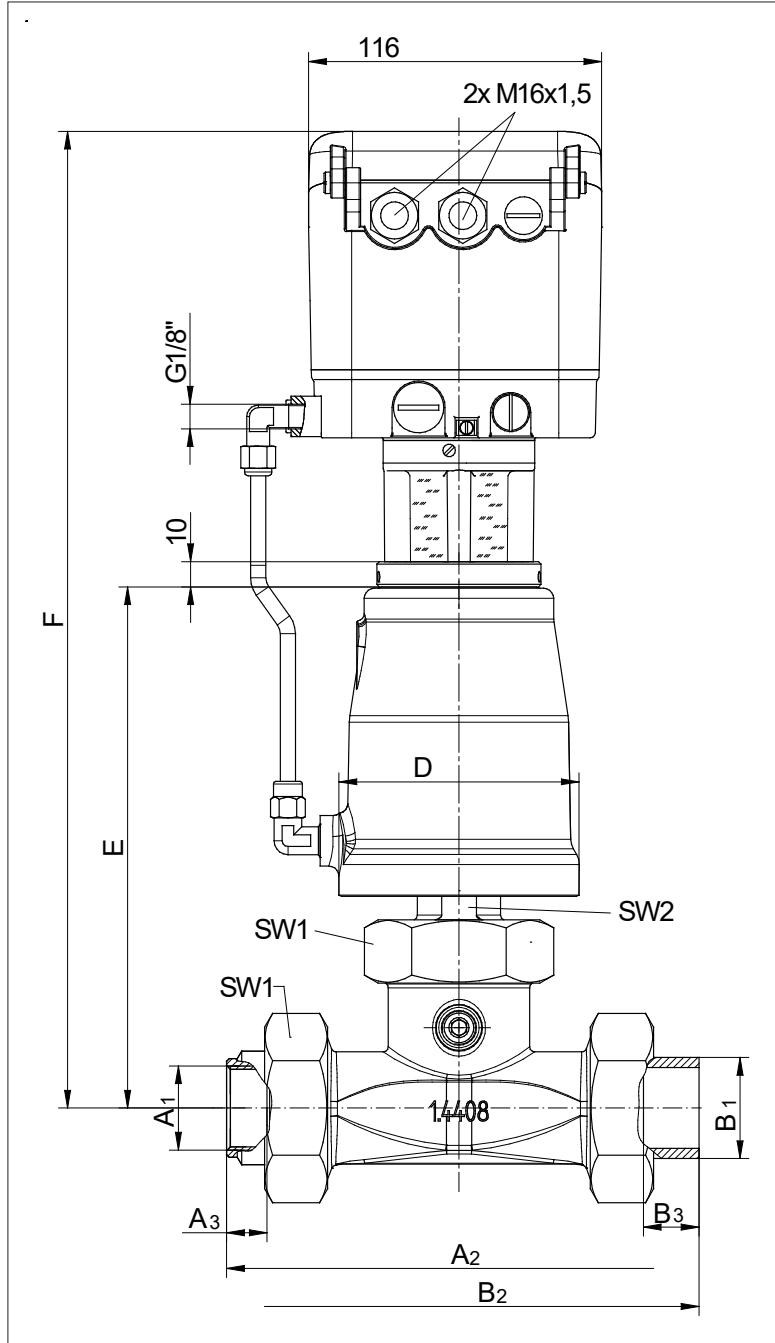
B: conditionally suitable

C: not suitable

Approvals

	EPDM	NBR	Viton	Silicon	SBR
FDA	x	x		x	
BFR	x	x		x	
EG 1935/2004/CE	x			x	
USP cl. VI				x	
EN ISO 3861					x

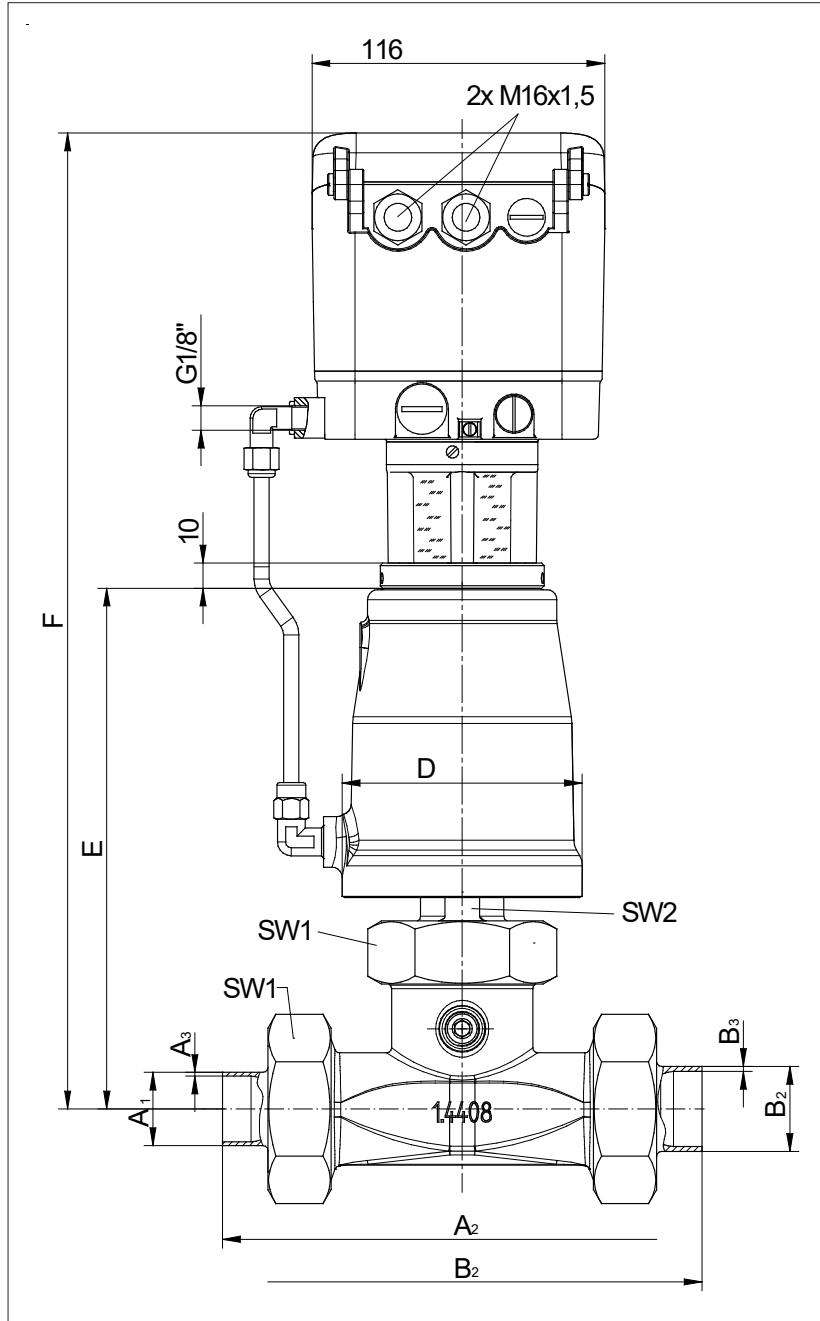
Dimensions and Weights with threaded connection or inner sticking sockets



DN	Piston	Whitworth pipe thread			NPT-thread			Inner sticking socket PVC			D	E	F	G	I	SW1	SW2	Stroke	Kvs-Value	Weight kg
		A1	A2	A3	A1	A2	A3	B1	B2	B3										
15	80	Rp 1/2"	130	13	NPT 1/2"	132	14,5	20	130	16	98	183	359	G1/4"	90	46	27	16	12,5	5,1
20	80	Rp 3/4"	132	13	NPT 3/4"	132	15	25	136	19	98	183	359	G1/4"	90	46	27	16	12,5	5,4
25	80	Rp 1"	184	16	NPT 1"	182	17,9	32	190	22	98	215	391	G1/4"	90	65	30	22	24	6,4
32	80	Rp 1 1/4"	190	16	NPT 1 1/4"	194	19	40	200	26	98	215	391	G1/4"	90	65	30	22	24	6,4
40	80	Rp 1 1/2"	246	20	NPT 1 1/2"	246	18,4	50	256	31	98	240	416	G1/4"	90	88	30	25	84	9,3
40	125	Rp 1 1/2"	246	20	NPT 1 1/2"	246	18,4	50	256	31	146	263	440	G1/4"	105	88	30	25	84	11,4
50	80	Rp 2"	246	22	NPT 2"	246	18,8	63	272	38	98	240	416	G1/4"	90	88	30	25	84	9,6
50	125	Rp 2"	246	22	NPT 2"	246	18,8	63	272	38	146	263	440	G1/4"	105	88	30	25	84	11,7

Dimensions in mm

Dimensions and Weights with welding ends



Text and pictures are not binding. We reserve the right, to alter the equipment.

DN	Piston	Welding ends acc. to DIN			Welding ends acc. to ISO			D	E	F	G	I	SW1	SW2	Stroke	Kvs-value	Weight [kg]
		A1	A2	A3	B1	B2	B3										
15	80	19	130	1,5	21,3	130	1,6	98	183	359	G1/4"	90	46	27	16	12,5	5,1
20	80	23	130	1,5	26,9	130	1,6	98	183	359	G1/4"	90	46	27	16		5,4
25	80	29	190	1,5	33,7	190	2	98	215	391	G1/4"	90	65	30	22	24	6,4
32	80	32	190	1,5	42,4	190	2	98	215	391	G1/4"	90	65	30	22		6,4
40	80	41	250	1,5	48,3	250	2	98	240	416	G1/4"	90	88	30	25	84	9,3
40	125	41	250	1,5	48,3	250	2	146	263	440	G1/4"	105	88	30	25		11,4
50	80	53	250	1,5	60,3	250	2	98	240	416	G1/4"	90	88	30	25		9,6
50	125	53	250	1,5	60,3	250	2	146	263	440	G1/4"	105	88	30	25		11,7