

# Diaphragm-control valve 7069

with integrated positioner  
DN 15 up to DN 100

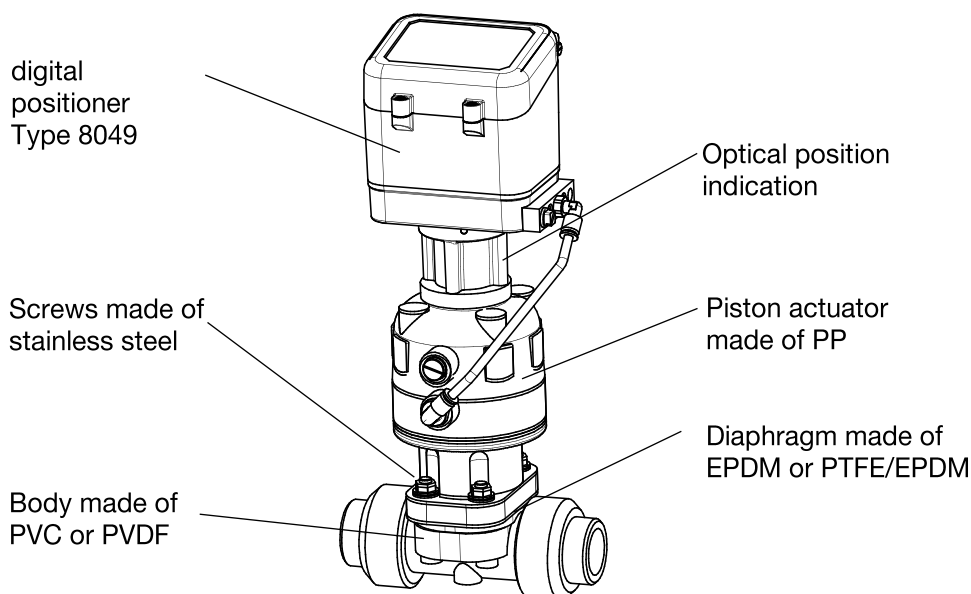


**Pneumatically operated control valve made of plastic for controlling ultrapure and aggressive fluids.**

- Integrated positioner
- Operating pressures up to 10 bar
- Suitable for ultrapure and aggressive fluids
- Resistant against acids and alkalis
- Almost free of dead spaces

## Technical Information

Nominal size	DN 15 up to DN 100
Body material	PVC or PVDF
Diaphragm	EPDM or PTFE/EPDM
O-rings (not for flanges)	EPDM or FKM
Connections:	
Flanged connection acc. DIN	DIN EN 1092-1, PN 10
Flanged connection acc. ANSI	ANSI B16.5, Class 150
Flanged connection acc. JIS	JIS B 2220, 10k
Pipe thread (only PVC)	DIN 2999 (Rp)
NPT-pipe thread (only PVC)	ANSI B1.20.1
PVC Inner sticking socket	DIN 8063
PVDF-Welding ends	ISO 10931 (PVDF)
Functions	NC, NO, double acting
Applications acc. PED	Categorie I
Leakage acc. IEC 60534-4	Class VI



# Diaphragm control valve 7069

## with integrated positioner



### Positioner

For technical information of our positioners please refer to the corresponding data sheets.

### Operating and pilot pressures

DN	Function spring closes (7k)		Function spring closes (10k)	
	max. differential pressure	supply pressure	max. differential pressure	supply pressure
	bar	bar	bar	bar
15	7	4 - 6	10	6
20	7	4 - 6	10	6
25	7	4 - 6	10	6
32	7	5 - 6	10	6
40	7	5 - 6	10	6
50	7	5 - 6	10	6
65	7	5 - 6	-	-
80	7	5 - 6	-	-
100	7	5 - 6	-	-

DN	function spring opens		function double acting	
	max. differential pressure	supply pressure	max. differential pressure	supply pressure
	bar	bar	bar	bar
15	10	5 - 6	10	4 - 6
20	10	5 - 6	10	4 - 6
25	10	5 - 6	10	4 - 6
32	10	5 - 6	10	4 - 6
40	10	5 - 6	10	4 - 6
50	10	5 - 6	10	4 - 6
65	10	5 - 6	10	3 - 6
80	10	5 - 6	10	3 - 6
100	10	5 - 6	10	4 - 6

### K<sub>vs</sub>-values

material of the diaphragm	flow rate coefficient K <sub>vs</sub>								
	DN15	DN20	DN25	DN32	DN40	DN50	DN65	DN80	DN100
EPDM	3,8	6,8	9,5	9,5	24	33	68	85	137
PTFE/EPDM	3,8	6,6	7,6	7,6	23,5	26,4	67	87	134

# Diaphragm control valve 7069

## with integrated postioner

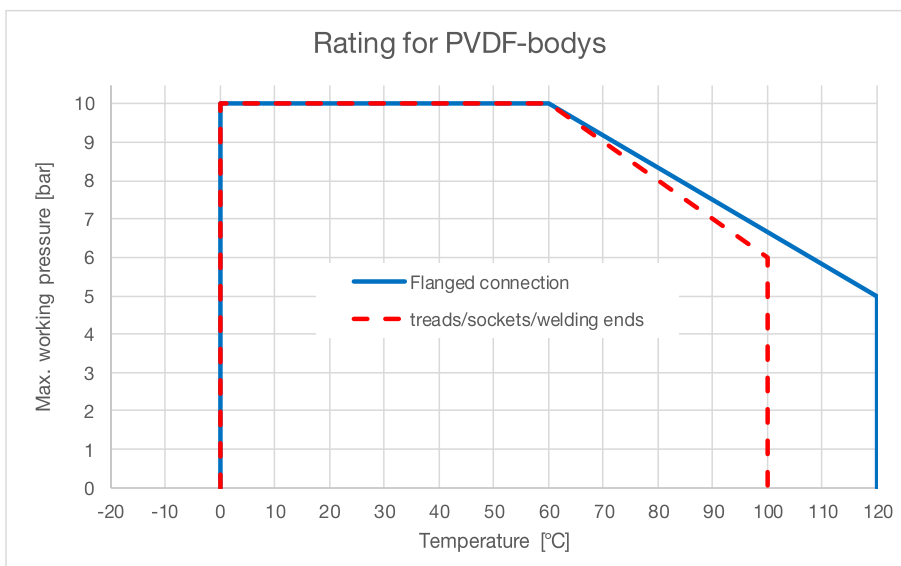
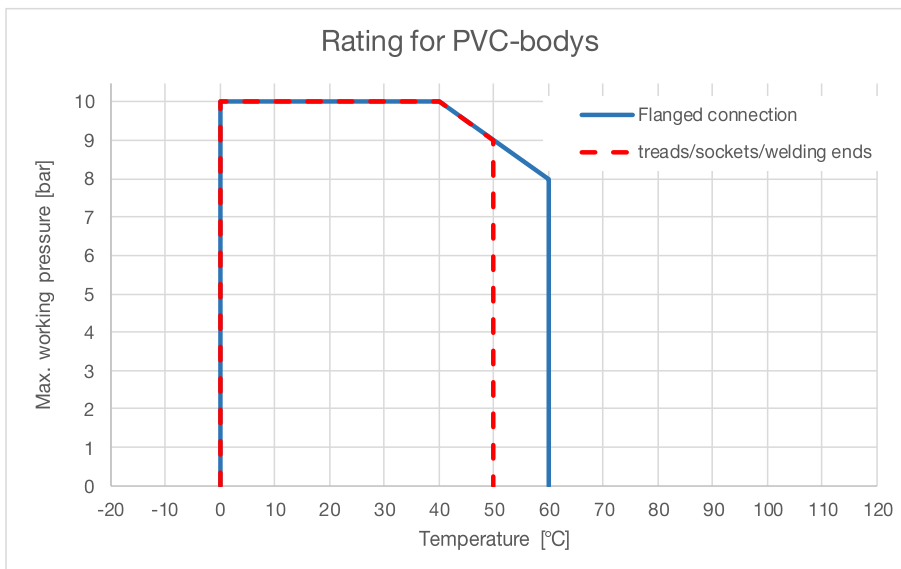


### Max. operating temperatures

Body material	Connection	max. operating temperature
PVC	flanges	60°C
	threads	50°C
	sockets	50°C
PVDF	flanges	120°C
	threads	100°C
	welding ends	100°C

Do observe the pressure temperature rating!

### Pressure temperatur rating

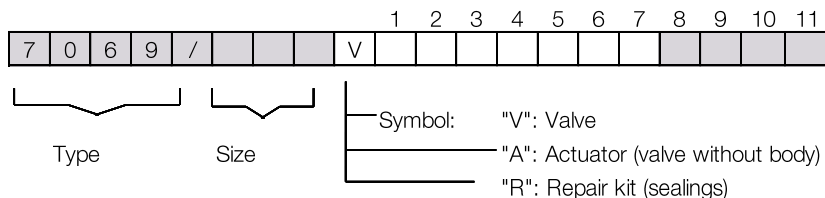


# Diaphragm control valve 7069

## with integrated postioner



### Ordering number system



1 - 7 : Please quote all 6 sections.  
8 - 11: Quote only if required.

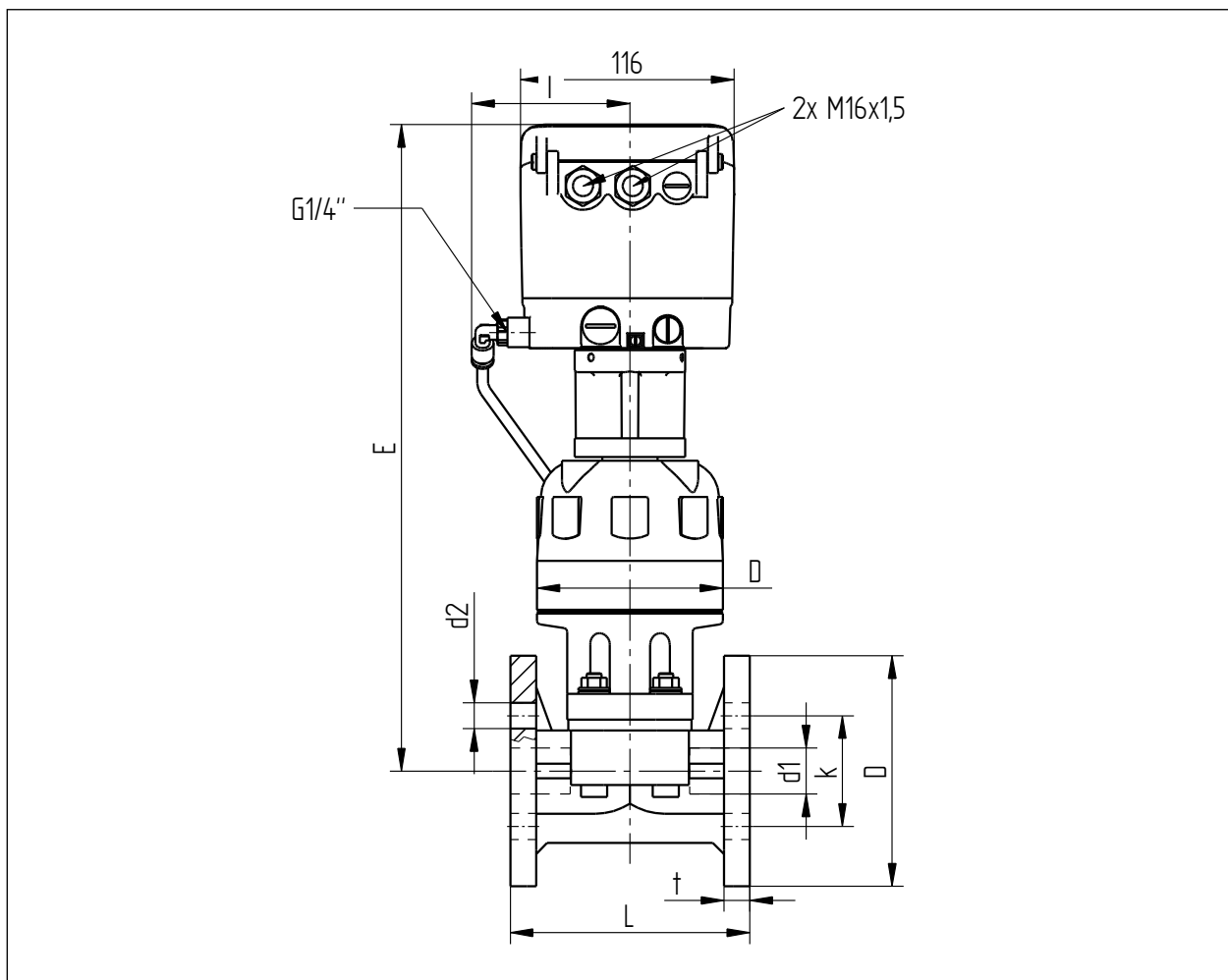
1. Design	2. Connections	3. Body material	4. Diaphragm	5. Material of the O-ring	6. positioner
9 Diaphragm control valve Type 7069	0 pipe thread DIN 2999 (Rp) 5 NPT thread ANSI B1.20.1 A Flanged connection acc. ANSI B16.5, Class 150 F Flanged connection acc. DIN EN 1092-1, PN 10 D welding ends ISO 10931 K inner sticking socket, DIN 8063	1 PVC 2 PVDF	1 EPDM 2 PTFE/EPDM	0 without O-Ring (only for flanged version) E EPDM F Viton (FKM)	0 without positioner C digitale positioner Type 8049-4 4-wire version R digitale positioner Type 8049-2 2-wire version digitale positioner Type 8049 Ex II 2 G Ex ia IIC T3/T4

7. Actuator/function	8. Special version	9. Positioner version	10. Signal equipment	11. Positioner settings
1 spring opens 2 spring closes 7k 3 double acting 4 spring closes 10k	M See following positions	C 8049 positioner with base plate in stainless steel E 8049 positioner in stainless steel H 8049 positioner Version with high air consumption 50mm stroke F 8049 positioner with function "FAIL IN POSITION"	N feedback module RM2 M feedback module RM3 1 1 limit switch inductiv M12x1 DC 10-30V PNP 2 2 limit switches inductiv M12x1 DC 10-30V PNP	2 positioner adjustmed specified by customer 7 positioner adjustment 0-10V

# Diaphragm control valve 7069 with integrated positioner

## Dimensions and weights

### Flanged version

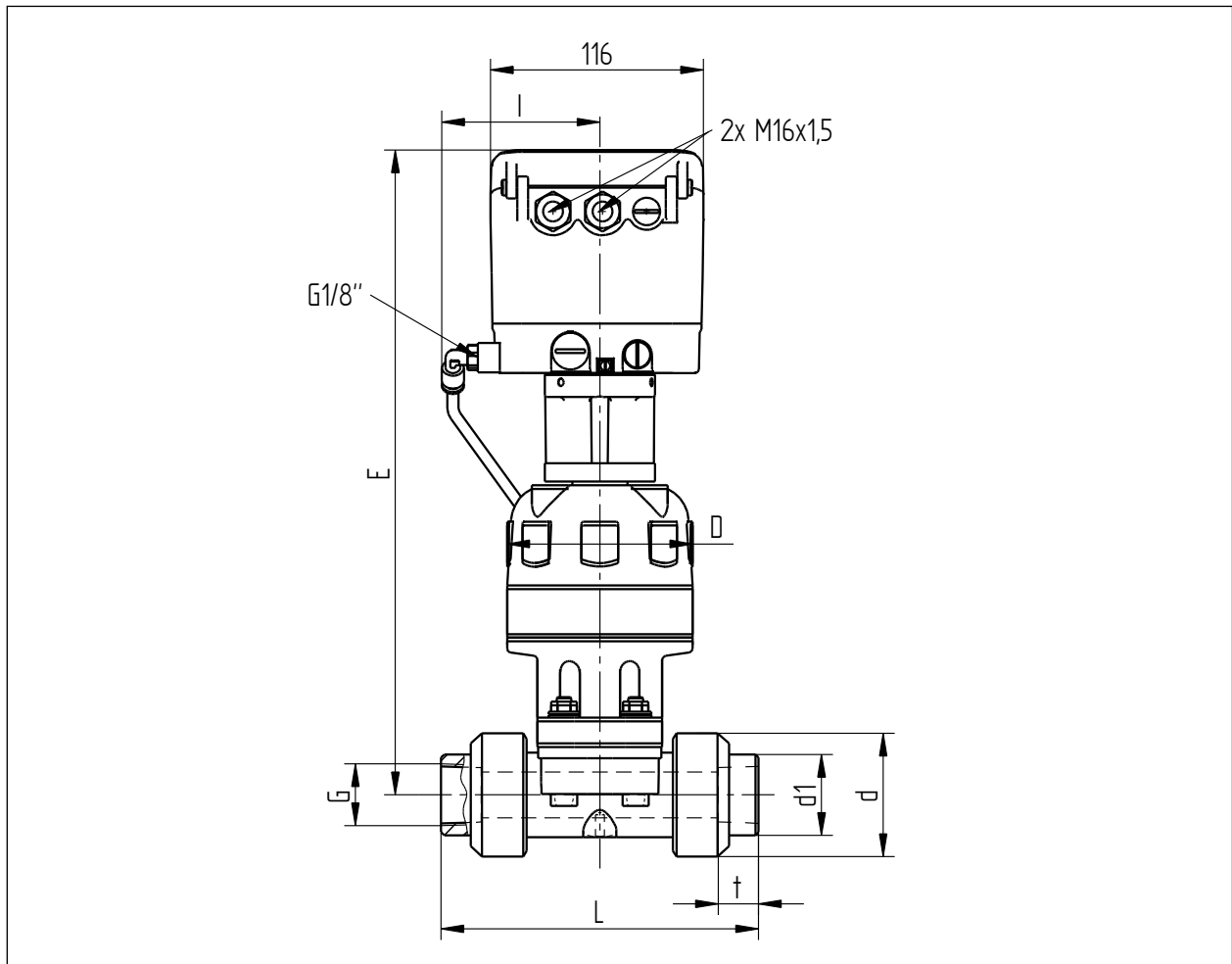


DN	L	E	I	DIN EN 1092-1, PN 10							ANSI B16.5, Class 150							weight [kg]
				D	d	t	d1	d2	n	k	D	d	t	d1	d2	n	k	
15	110	345	88	101	95	14	16	14	4	65	101	90	11	16	16	4	60,5	2,8
20	120	345	88	101	105	14	20	14	4	75	101	100	13	20	16	4	70	2,9
25	130	350	88	101	115	14	25	14	4	85	101	110	14	25	16	4	79,5	3,0
32	142	350	88	101	140	15	32	18	4	100	101	117	15,7	32	16	4	89	3,3
40	180	475	88	155	150	16	41	18	4	110	155	127	17	41	16	4	98	9,2
50	210	475	88	155	165	20	52	18	4	125	155	155	19	52	20	4	120,5	10,1
65	250	555	88	285	185	18	67	18	4	145	285	175	22	67	20	4	139,5	17,1
80	280	560	88	285	200	20	80	18	8	160	285	190	22	80	20	4	152,5	18,7
100	340	600	88	340	220	20	100	18	8	180	340	230	24	100	20	8	190,5	28,5

# Diaphragm control valve 7069 with integrated positioner

## Maße und Gewichte

### Ausführung mit Gewindemuffe

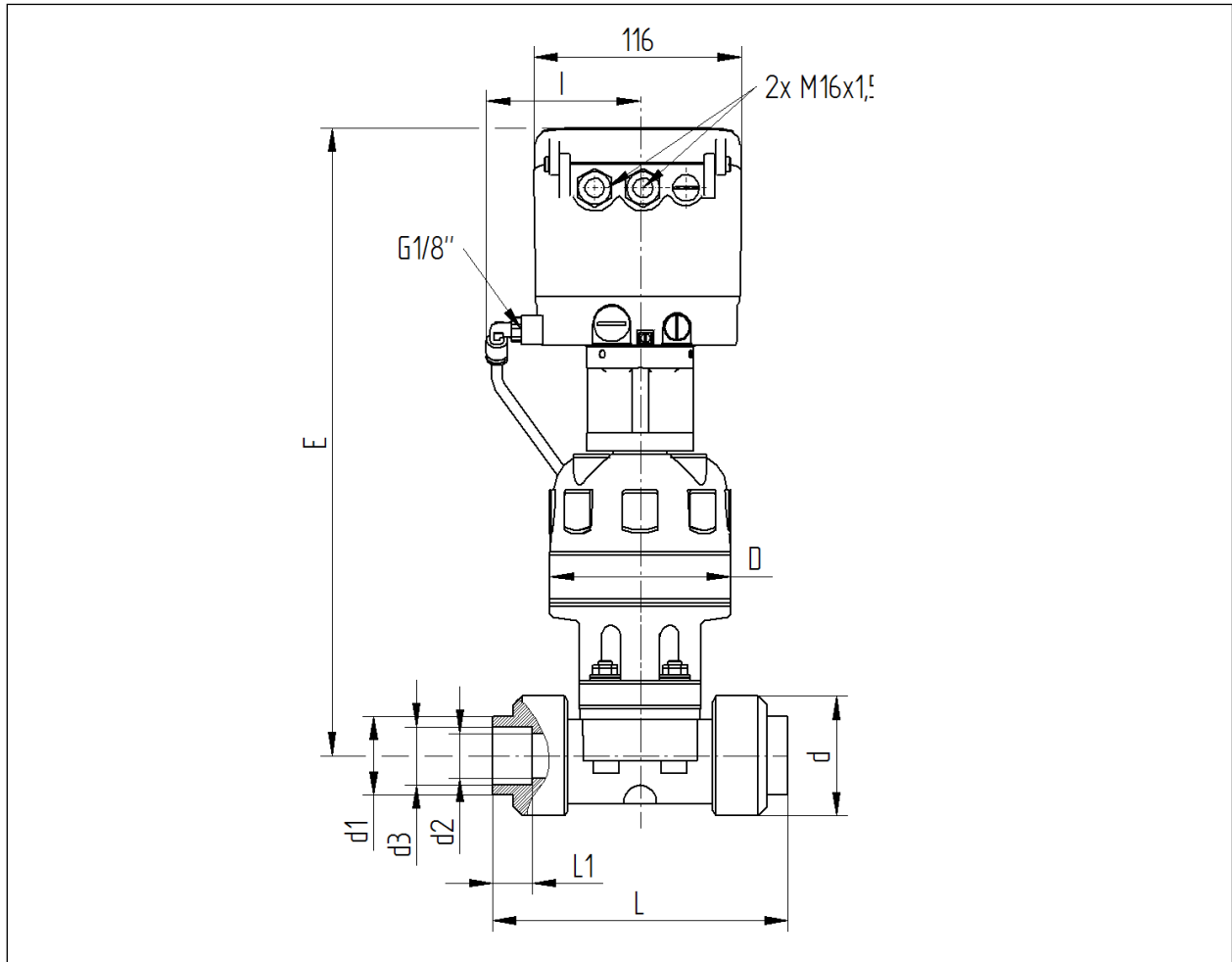


DN	L	D	d	d1	E	t	l	DIN 2999 G	ANSI B1.20.1 G	Weight [kg]
15	133	101	49	30	345	18	88	Rp1/2"	1/2" NPT	2,6
20	157	101	59	35	345	18	88	Rp3/4"	3/4" NPT	2,7
25	173	101	67	44	350	23	88	Rp1"	NPT1"	2,8
32	188	101	81	54	350	23	88	Rp1 1/4"	1 1/4" NPT	3,1
40	248	155	98	65	475	25	88	Rp1 1/2"	1 1/2" NPT	9,2
50	269	155	120	77	475	30	88	Rp2"	2" NPT	10,1

# Diaphragm control valve 7069 with integrated positioner

## Dimensions and weights

### Version with inner sticking sockets

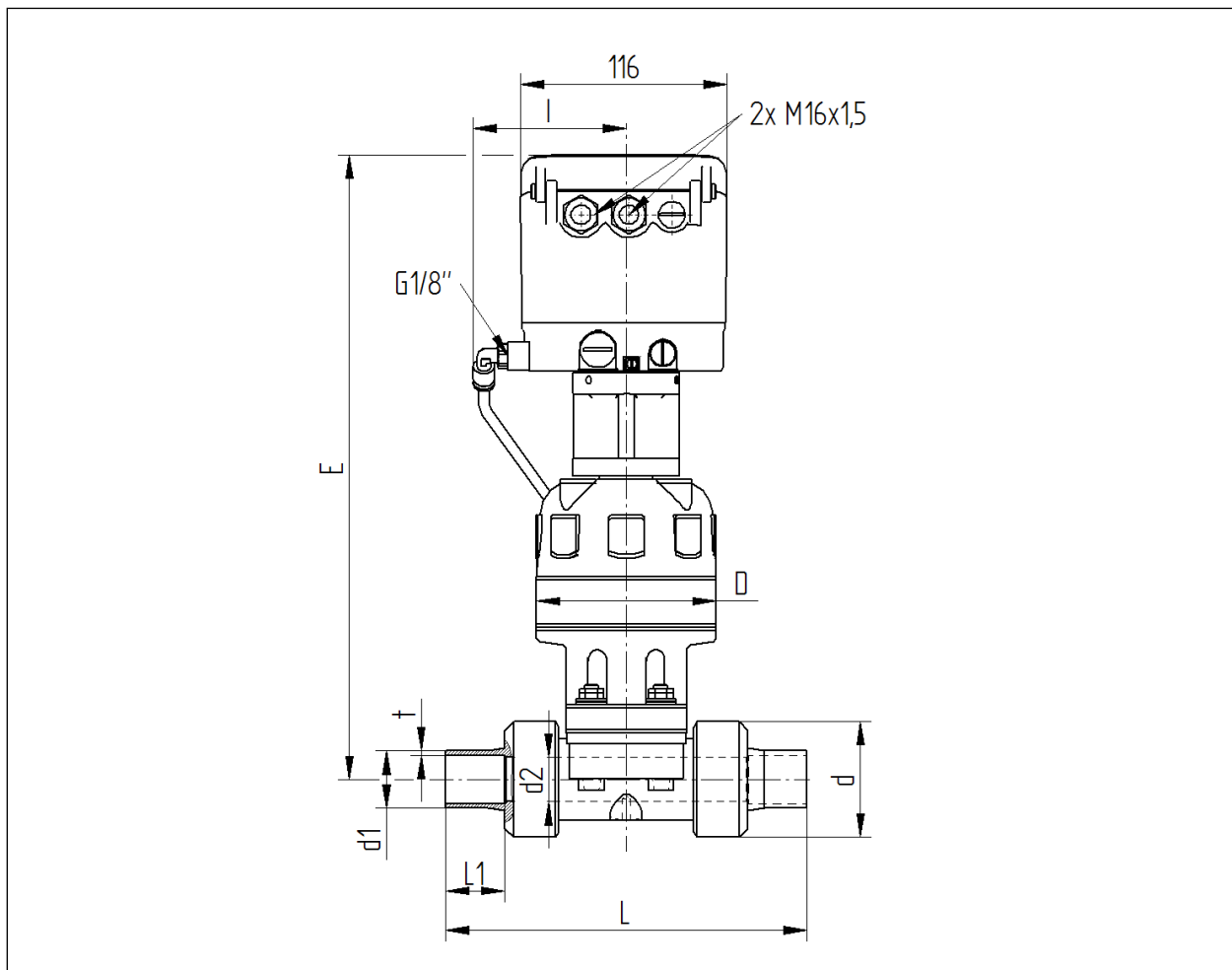


DN	D	d	d1	d2	E	I	Klebmunfte DIN 8063		d3	Kleb
							L	L1		
15	101	49	33	16	345	88	126	16	20,3	137
20	101	59	35	20	345	88	146	19	25,3	158
25	101	67	44	25	350	88	165	22	32,3	177
32	101	81	54	32	350	88	179	26	40,3	190
40	155	98	66	40	475	88	247	31	50,3	258

# Diaphragm control valve 7069 with integrated postioner

## Dimensions and weights

### Version with welding ends



Text and pictures are not binding. We reserve the right to alter the equipment.

DN	L	L1	D	d	d1	d2	E	t	l	Weight [kg]
15	176	30	101	49	20	15	345	1,9	88	2,6
20	189	24	101	59	25	20	345	1,9	88	2,7
25	203	24	101	67	32	25	350	2,4	88	2,8
32	210	25	101	81	40	31	350	2,4	88	3,1
40	272	24	155	98	50	40	475	3	88	9,2
50	306	28	155	120	63	50	475	3	88	10,1